

NOVER

# KROME LINEA DRAWER RANGE



# KROME LINEA SLIM SERIES DOUBLE WALL DRAWER SYSTEM

## MORE SPACE AND STYLISH

- Unique modern design, slim and stylish, more storage space
- Advance structure of synchronisation, perfect movement
- Multi-adjustment option, perfect fit with every scenario



EXTREME SMOOTHNESS & SOFT CLOSE FUNCTIONALITY

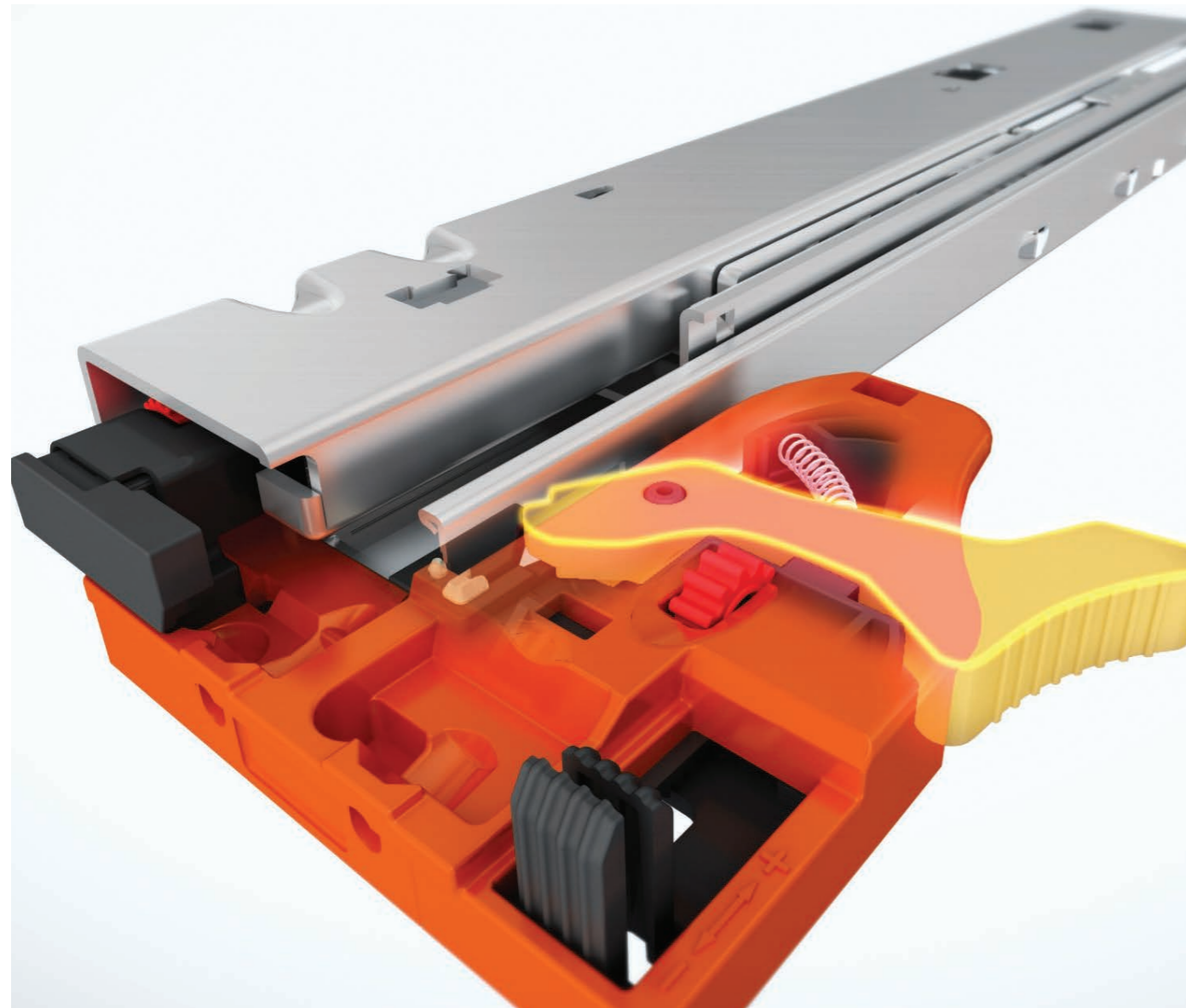


SLIM 12MM PROFILE

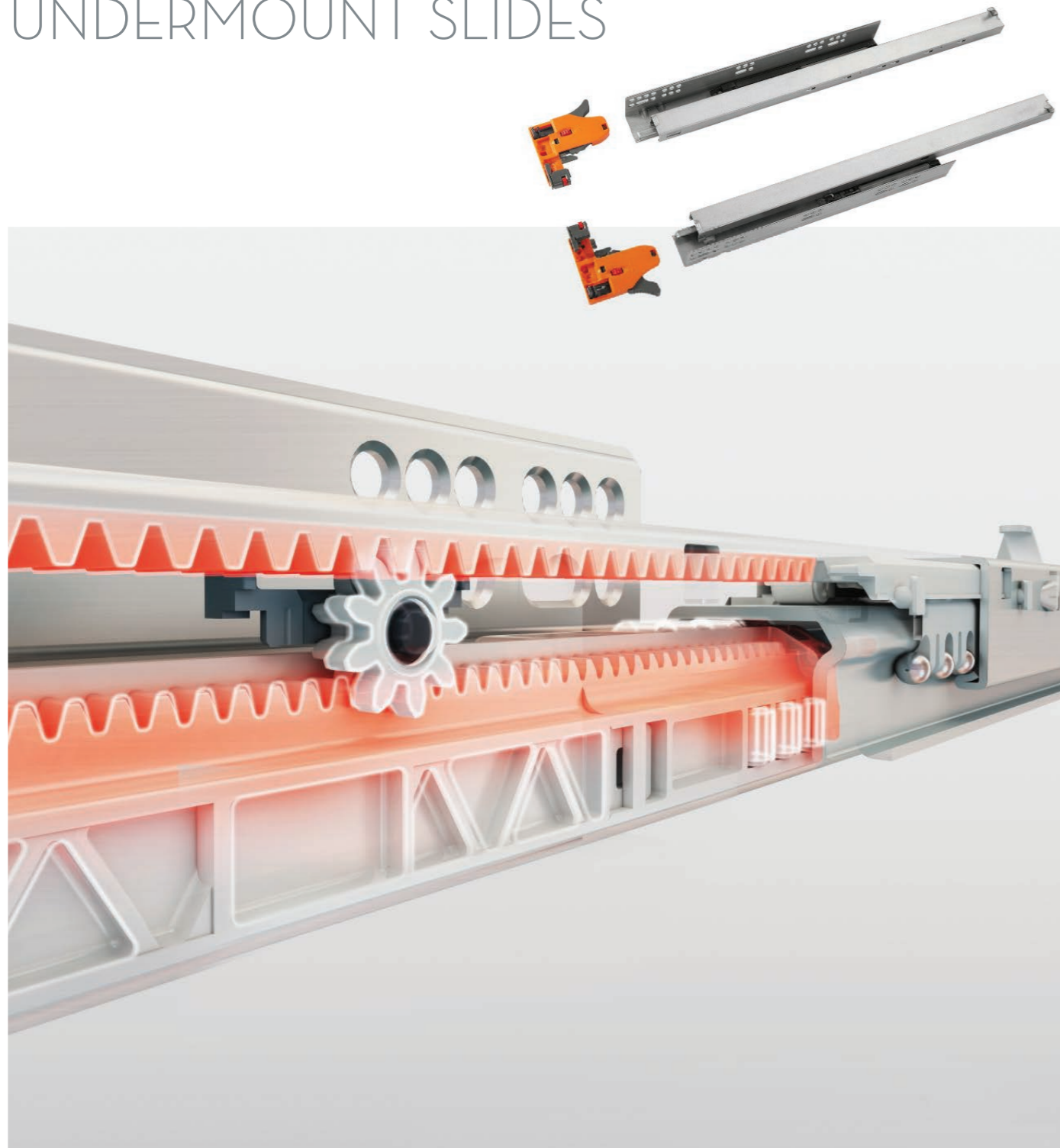
**KROME LINEA****3 DIMENSION 6 DIRECTION  
ADJUSTING BRACKET**

## EASY ASSEMBLE

- Easy adjust without tools
- Fast and easy assemble with 3D locking bracket
- 3 Dimension 6 direction adjusting bracket

**KROME LINEA****KROME  
SYNCHRONISED  
UNDERMOUNT  
SLIDES**

KROME LINEA  
KROME SYNCHRONISED  
UNDERMOUNT SLIDES



# KROME LINEA 89MM DRAWER KITS



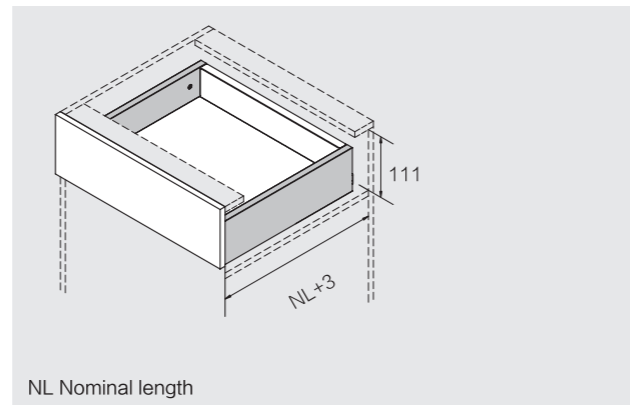
## 89MM WHITE & ANTHRACITE



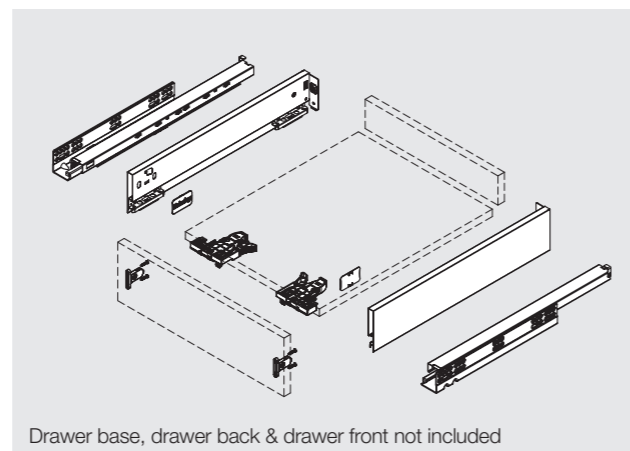
### Product description

- Thin 12mm side panel, maximising internal drawer space
- Colour: White & Anthracite
- Fully synchronised motion, smooth opening and soft closing
- Quick and easy assembly and dismantling
- 3D front adjustment
- Dynamic loading 40kg
- Tilt adjustment

### SPACE REQUIREMENT



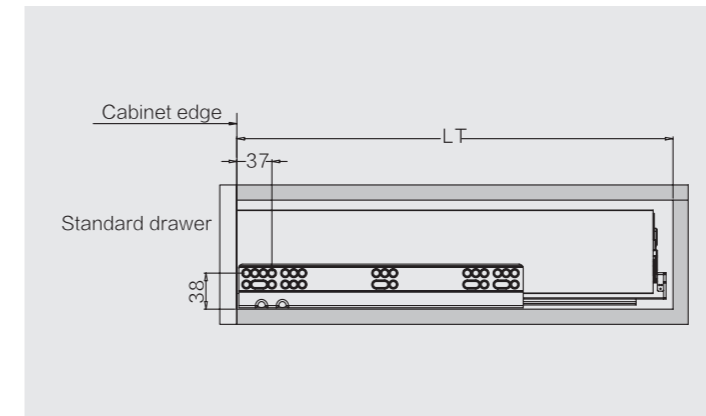
### PRODUCT CODES INCLUDE THE FOLLOWING COMPONENTS



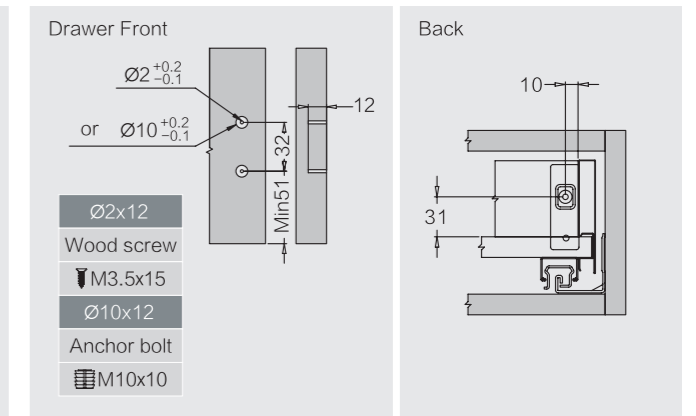
DESCRIPTION	CODE
KROME LINEA WHITE 89 X 300 40KG DRAWER KIT	341211
KROME LINEA WHITE 89 X 350 40KG DRAWER KIT	341212
KROME LINEA WHITE 89 X 400 40KG DRAWER KIT	341213
KROME LINEA WHITE 89 X 450 40KG DRAWER KIT	341214
KROME LINEA WHITE 89 X 500 40KG DRAWER KIT	341215
KROME LINEA WHITE 89 X 550 40KG DRAWER KIT	341216

DESCRIPTION	CODE
KROME LINEA ANTHRACITE 89 X 300 40KG DRAWER KIT	341511
KROME LINEA ANTHRACITE 89 X 350 40KG DRAWER KIT	341512
KROME LINEA ANTHRACITE 89 X 400 40KG DRAWER KIT	341513
KROME LINEA ANTHRACITE 89 X 450 40KG DRAWER KIT	341514
KROME LINEA ANTHRACITE 89 X 500 40KG DRAWER KIT	341515
KROME LINEA ANTHRACITE 89 X 550 40KG DRAWER KIT	341516

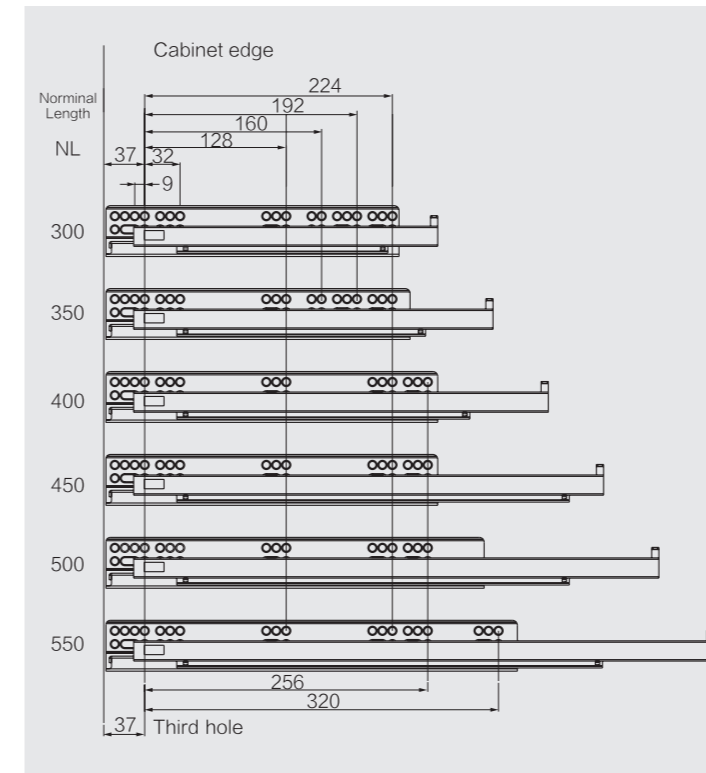
### INSTALLATION DIMENSIONS (MM)



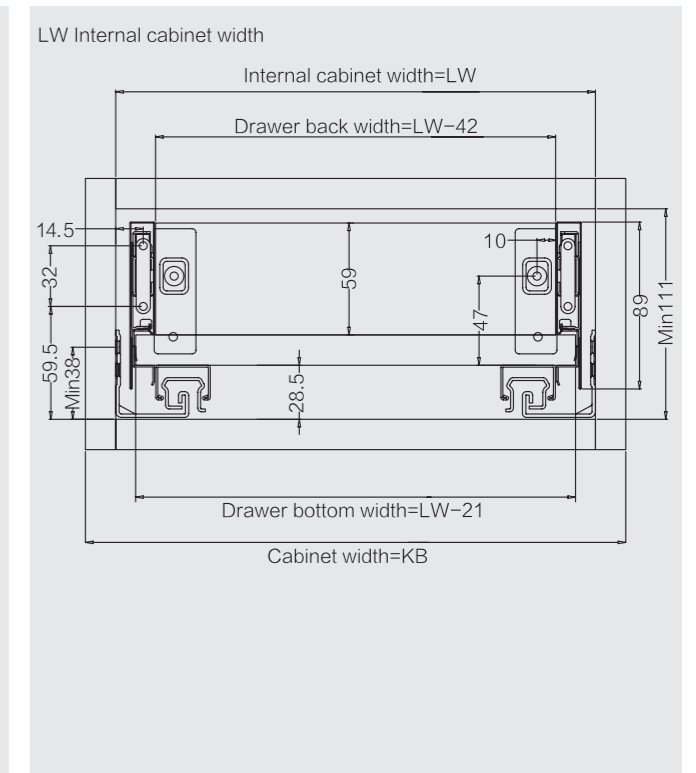
### DRAWER INSTALLATION DIMENSIONS (MM)



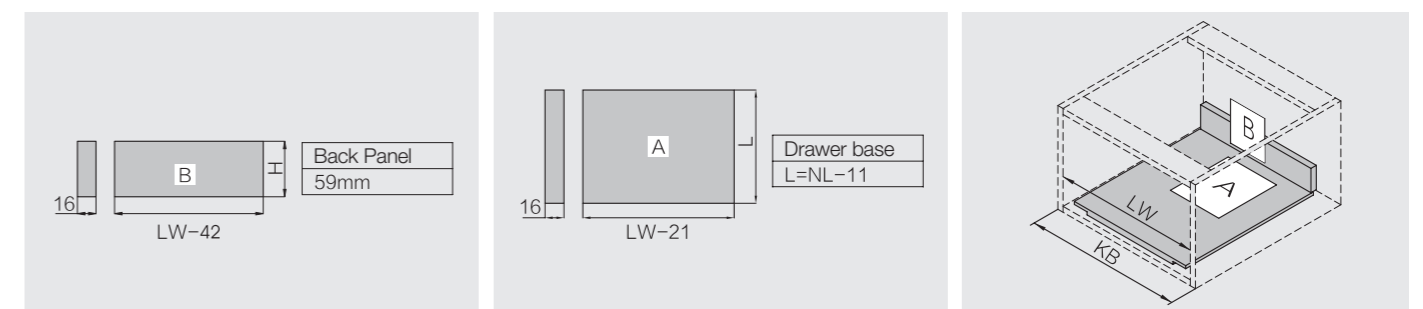
### SIDE PANEL DRILLING (MM)



### INSTALLATION DIMENSIONS (MM)



### DRAWER BACK AND BASE DIMENSIONS (MM)



Nominal Slide Length = NL Internal Cabinet Depth (LT) = NL+3 Internal Cabinet Width = LW External Cabinet Width = KB

121MM WHITE & ANTHRACITE



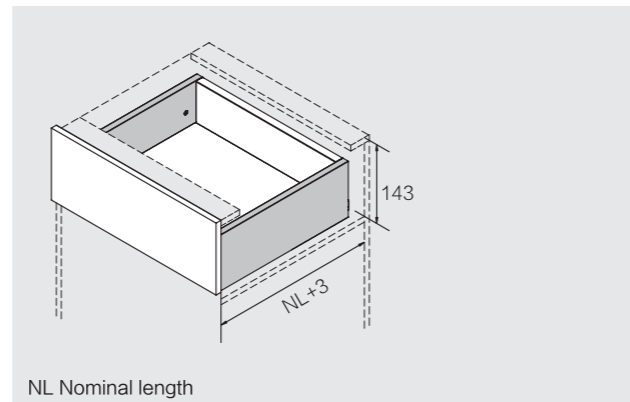
Product description

- Thin 12mm side profile, maximising internal drawer space
- Colour: White & Anthracite
- Fully synchronised motion, smooth opening and soft closing
- Quick and easy assembly and dismantling
- 3D front adjustment
- Dynamic loading 40kg
- Tilt adjustment

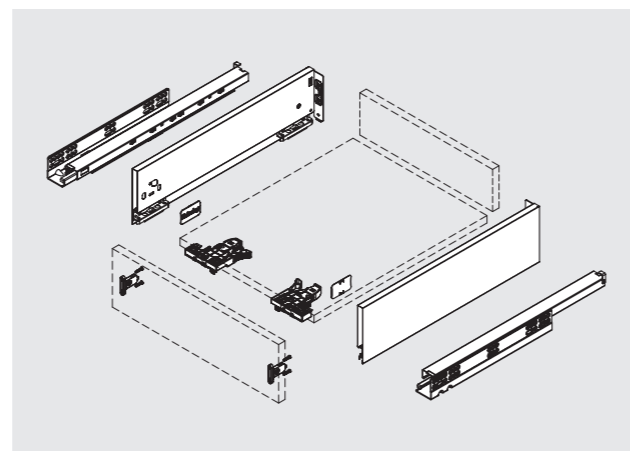
DESCRIPTION	CODE
KROME LINEA WHITE 121 X 300 40KG DRAWER KIT	341221
KROME LINEA WHITE 121 X 350 40KG DRAWER KIT	341222
KROME LINEA WHITE 121 X 400 40KG DRAWER KIT	341223
KROME LINEA WHITE 121 X 450 40KG DRAWER KIT	341224
KROME LINEA WHITE 121 X 500 40KG DRAWER KIT	341225
KROME LINEA WHITE 121 X 550 40KG DRAWER KIT	341226

DESCRIPTION	CODE
KROME LINEA ANTHRACITE 121 X 300 40KG DRAWER KIT	341521
KROME LINEA ANTHRACITE 121 X 350 40KG DRAWER KIT	341522
KROME LINEA ANTHRACITE 121 X 400 40KG DRAWER KIT	341523
KROME LINEA ANTHRACITE 121 X 450 40KG DRAWER KIT	341524
KROME LINEA ANTHRACITE 121 X 500 40KG DRAWER KIT	341525
KROME LINEA ANTHRACITE 121 X 550 40KG DRAWER KIT	341526

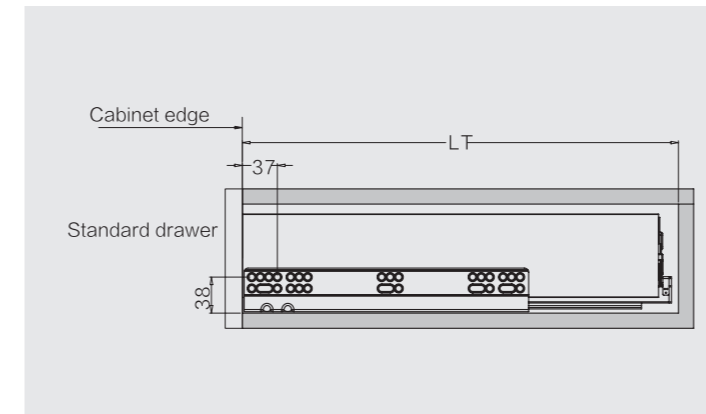
SPACE REQUIREMENT



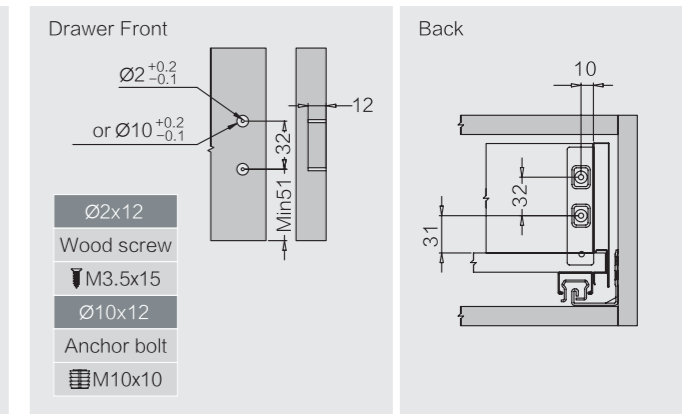
PRODUCT CODES INCLUDE THE FOLLOWING COMPONENTS



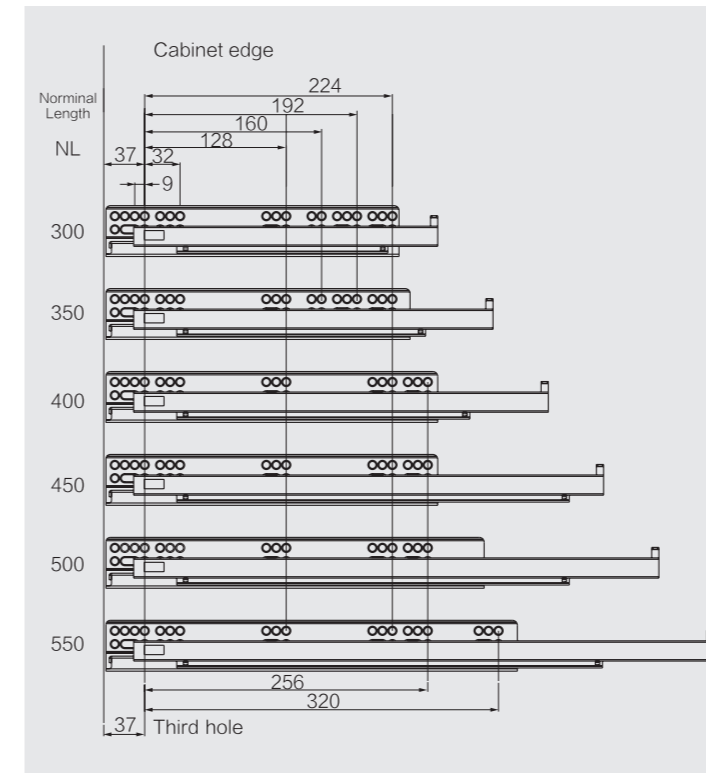
INSTALLATION DIMENSIONS (MM)



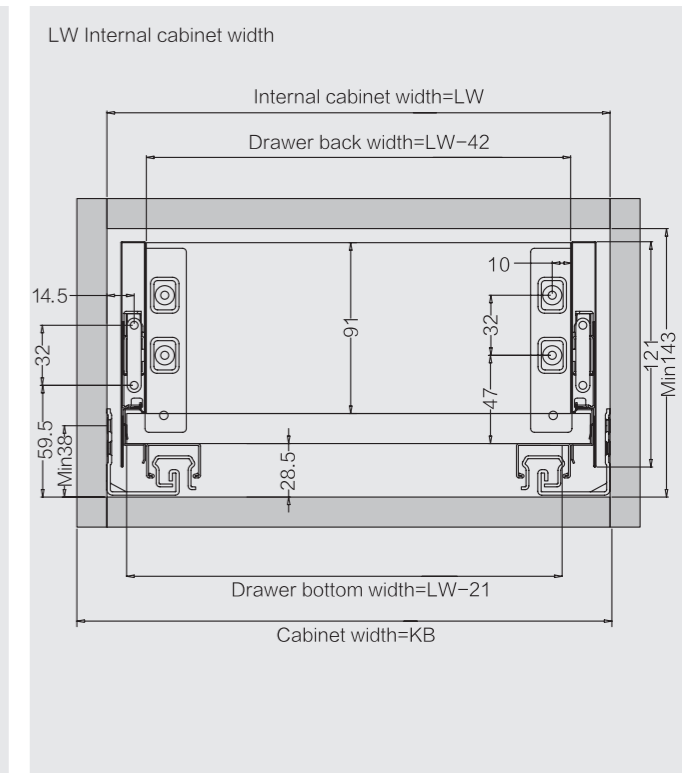
DRAWER INSTALLATION DIMENSIONS (MM)



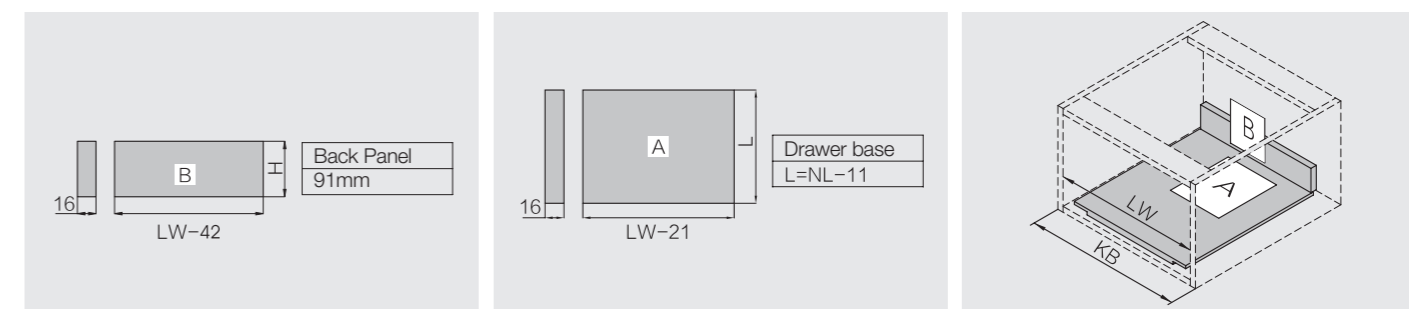
SIDE PANEL DRILLING (MM)



INSTALLATION DIMENSIONS (MM)



DRAWER BACK AND BASE DIMENSIONS (MM)



Nominal Slide Length = NL Internal Cabinet Depth (LT) = NL+3 Internal Cabinet Width = LW External Cabinet Width = KB

185MM WHITE & ANTHRACITE



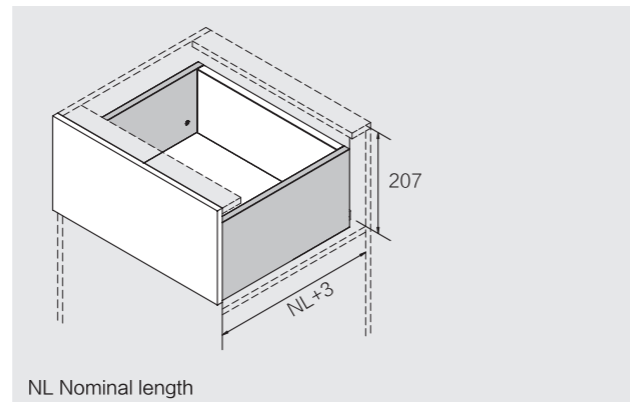
Product description

- Maximising internal drawer space
- Colour: White & Anthracite
- Fully synchronised motion, smooth opening and soft closing
- Quick and easy assembly and dismantling
- 3D front adjustment
- Dynamic loading 40kg
- Tilt adjustment

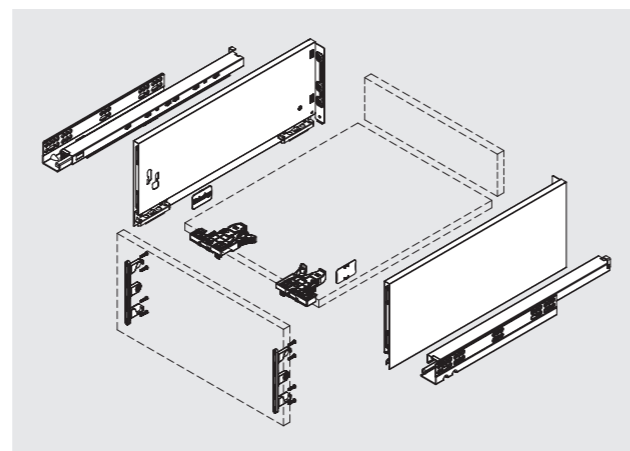
DESCRIPTION	CODE
KROME LINEA WHITE 185 X 300 40KG DRAWER KIT	341231
KROME LINEA WHITE 185 X 350 40KG DRAWER KIT	341232
KROME LINEA WHITE 185 X 400 40KG DRAWER KIT	341233
KROME LINEA WHITE 185 X 450 40KG DRAWER KIT	341234
KROME LINEA WHITE 185 X 500 40KG DRAWER KIT	341235
KROME LINEA WHITE 185 X 550 40KG DRAWER KIT	341236

DESCRIPTION	CODE
KROME LINEA ANTHRACITE 185 X 300 40KG DRAWER KIT	341531
KROME LINEA ANTHRACITE 185 X 350 40KG DRAWER KIT	341532
KROME LINEA ANTHRACITE 185 X 400 40KG DRAWER KIT	341533
KROME LINEA ANTHRACITE 185 X 450 40KG DRAWER KIT	341534
KROME LINEA ANTHRACITE 185 X 500 40KG DRAWER KIT	341535
KROME LINEA ANTHRACITE 185 X 550 40KG DRAWER KIT	341536

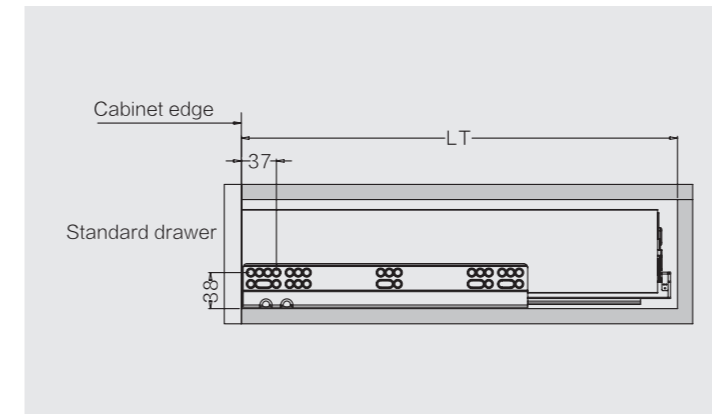
SPACE REQUIREMENT



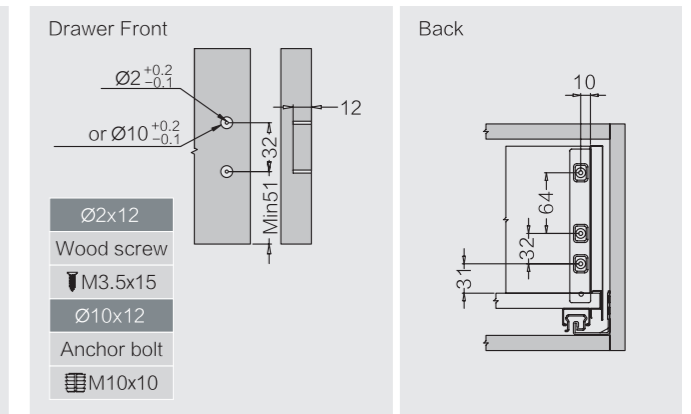
PRODUCT CODES INCLUDE THE FOLLOWING COMPONENTS



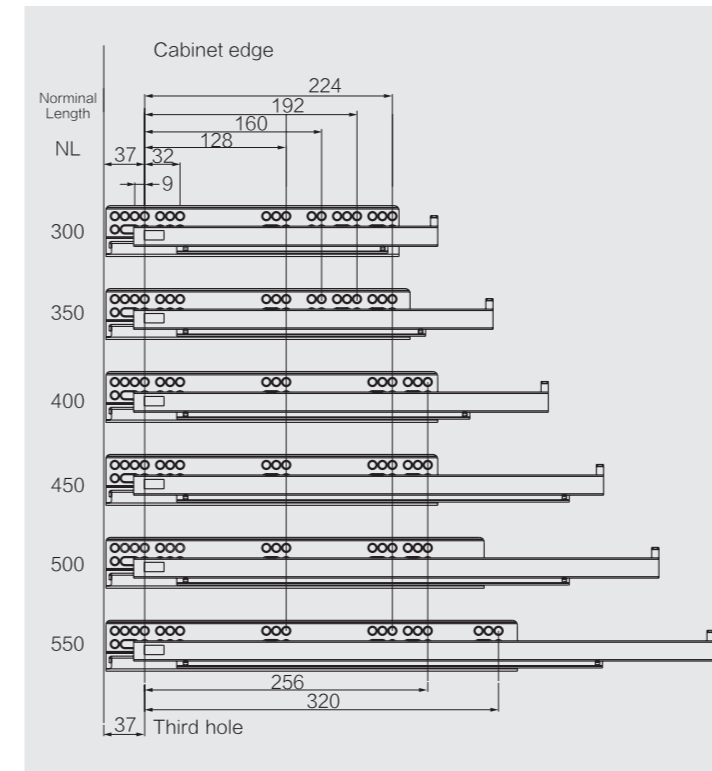
INSTALLATION DIMENSIONS (MM)



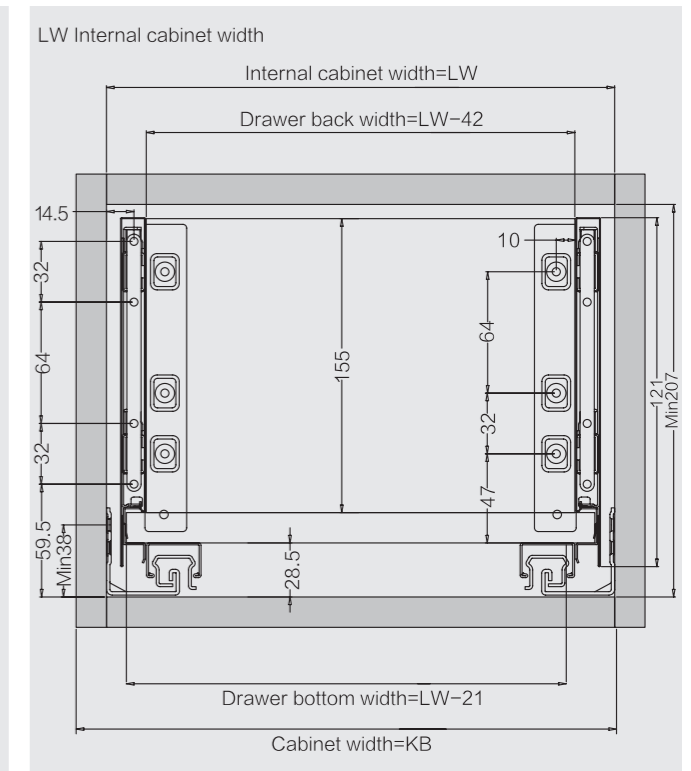
DRAWER INSTALLATION DIMENSIONS (MM)



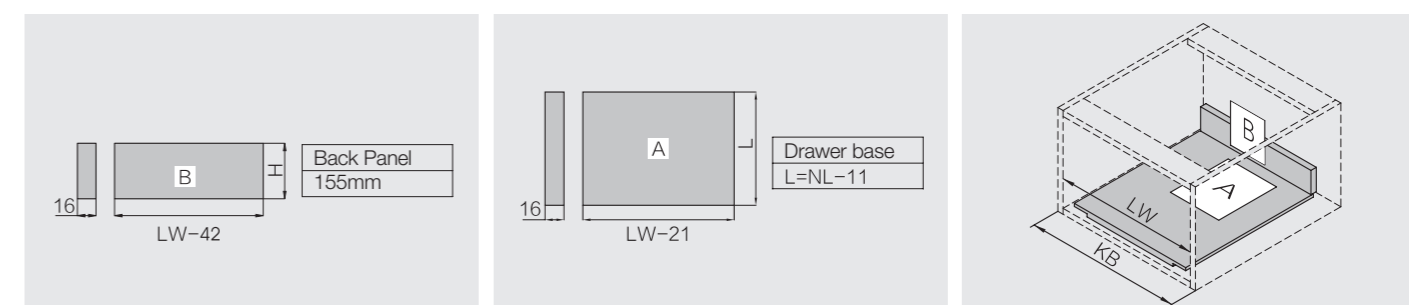
SIDE PANEL DRILLING (MM)



INSTALLATION DIMENSIONS (MM)



DRAWER BACK AND BASE DIMENSIONS (MM)

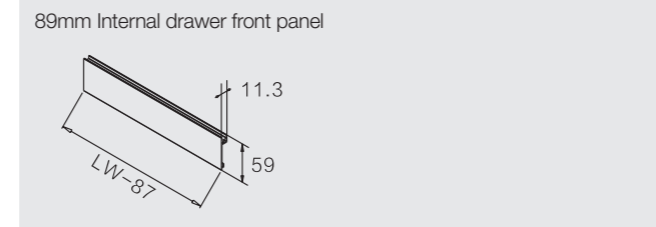


Nominal Slide Length = NL Internal Cabinet Depth (LT) = NL+3 Internal Cabinet Width = LW External Cabinet Width = KB

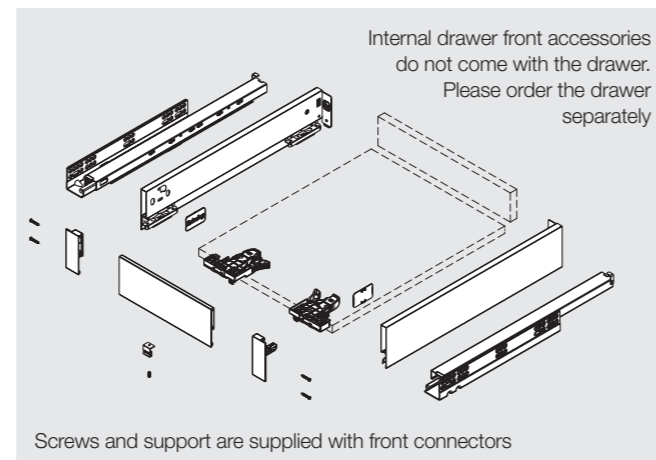
**89MM WHITE & ANTHRACITE INTERNAL DRAWER ACCESSORIES**



**DRAWER INSTALLATION DIMENSIONS (MM)**



**THE BASIC COMPONENTS**

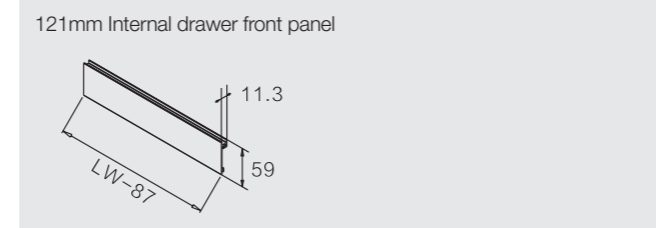


DESCRIPTION	CODE
KROME LINEA WHITE 89MM INTERNAL DRAWER FRONT CONNECTORS	341240
KROME LINEA WHITE 89MM INTERNAL DRAWER FRONT PANEL (1000MM)	341243
DESCRIPTION	CODE
KROME LINEA ANTHRACITE 89MM INTERNAL DRAWER FRONT CONNECTORS	341540
KROME LINEA ANTHRACITE 89MM INTERNAL DRAWER FRONT PANEL (1000MM)	341543

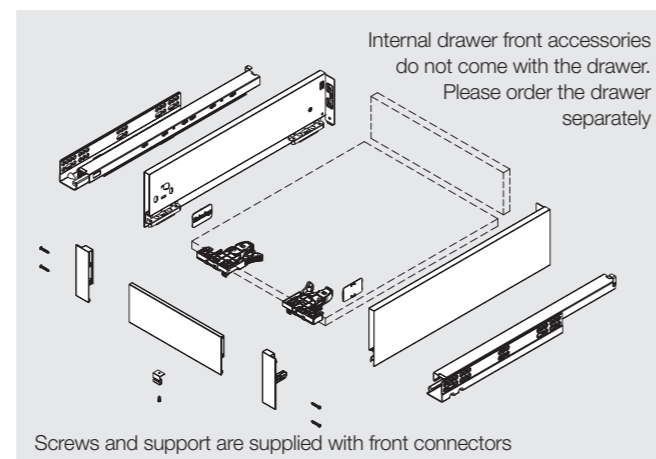
**121MM WHITE & ANTHRACITE INTERNAL DRAWER ACCESSORIES**



**DRAWER INSTALLATION DIMENSIONS (MM)**



**THE BASIC COMPONENTS**

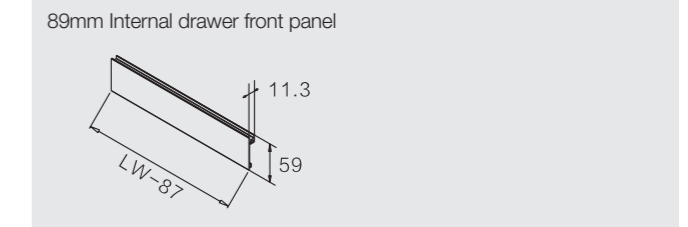


DESCRIPTION	CODE
KROME LINEA WHITE 121MM INTERNAL DRAWER FRONT CONNECTORS	341241
KROME LINEA WHITE 121MM INTERNAL DRAWER FRONT PANEL (1000MM)	341243
DESCRIPTION	CODE
KROME LINEA ANTHRACITE 121MM INTERNAL DRAWER FRONT CONNECTORS	341541
KROME LINEA ANTHRACITE 121MM INTERNAL DRAWER FRONT PANEL (1000MM)	341543

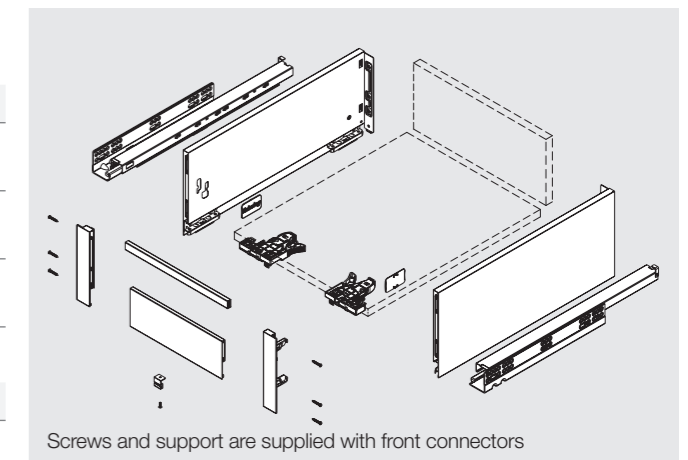
**185MM WHITE & ANTHRACITE INTERNAL DRAWER ACCESSORIES**



**DRAWER INSTALLATION DIMENSIONS (MM)**



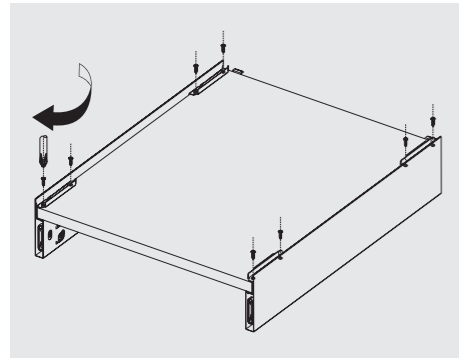
**THE BASIC COMPONENTS**



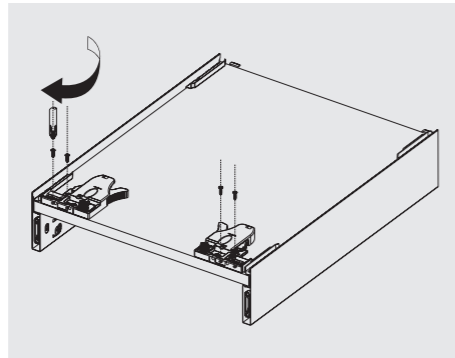
DESCRIPTION	CODE
KROME LINEA WHITE 185MM INTERNAL DRAWER FRONT CONNECTORS	341242
KROME LINEA WHITE 185MM INTERNAL DRAWER FRONT PANEL (1000MM)	341244
KROME LINEA 185MM WHITE INTERNAL DRAWER CROSS RAIL (1000MM)	341245
DESCRIPTION	CODE
KROME LINEA ANTHRACITE 185MM INTERNAL DRAWER FRONT CONNECTORS	341542
KROME LINEA ANTHRACITE 185MM INTERNAL DRAWER FRONT PANEL (1000MM)	341544
KROME LINEA ANTHRACITE 185MM INTERNAL DRAWER CROSS RAIL (1000MM)	341545



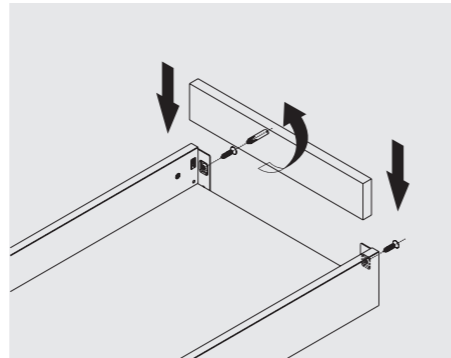
**DRAWER ASSEMBLY**



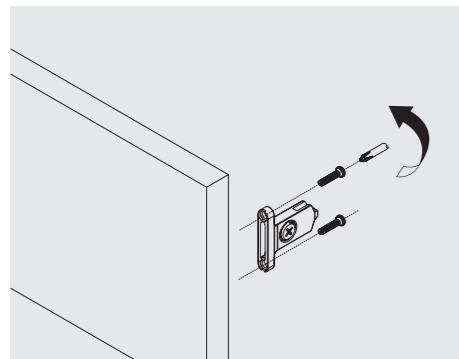
Drawer Base assembly



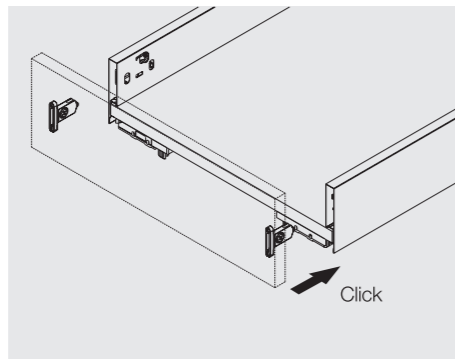
Locking Brackets assembly



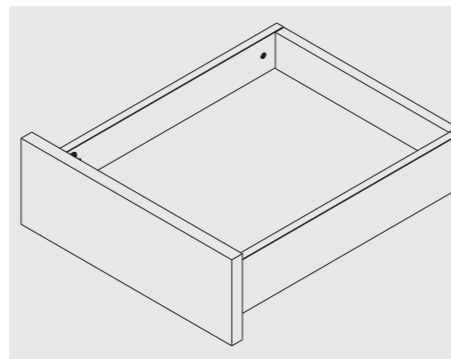
Drawer back assembly



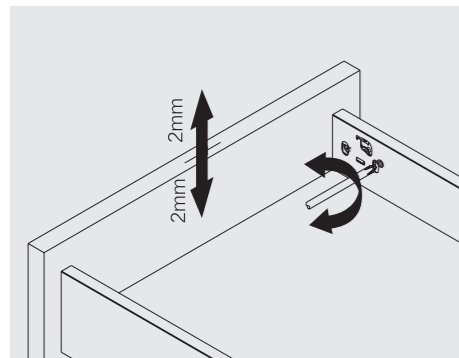
Drawer front assembly



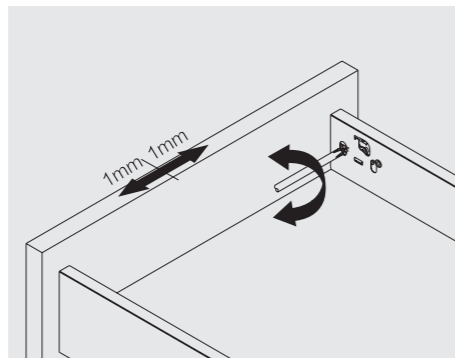
Click



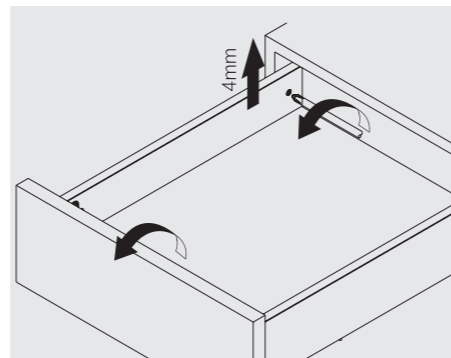
**ADJUSTMENT**



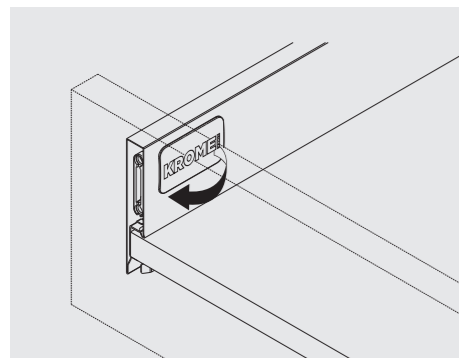
Left & right adjustment



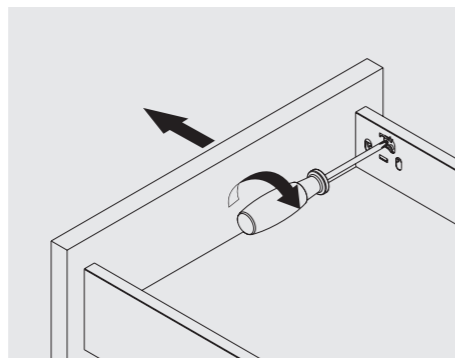
Tilt adjustment



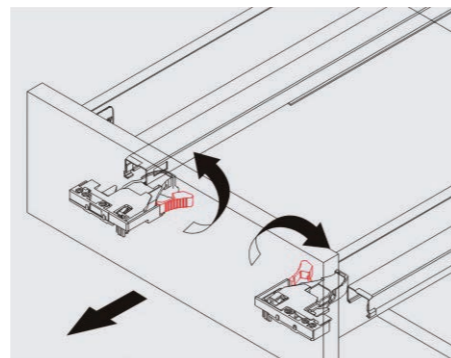
**REMOVAL**



Tip up the cover and pull out

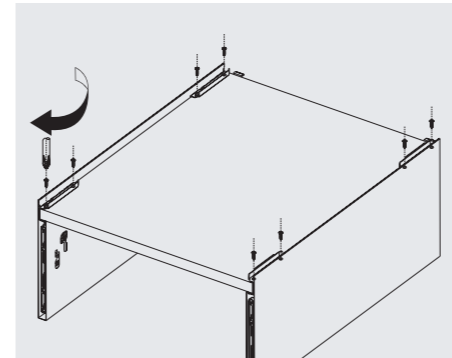


Turn screw driver to release the drawer front

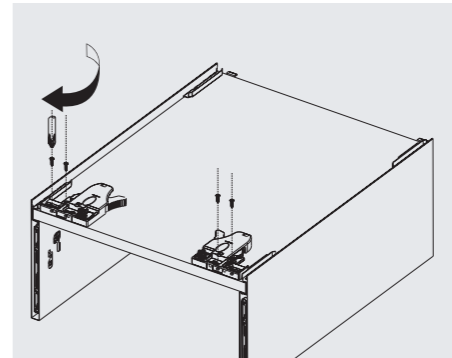


Remove the driver by pressing the locking bracket and then pull the drawer out

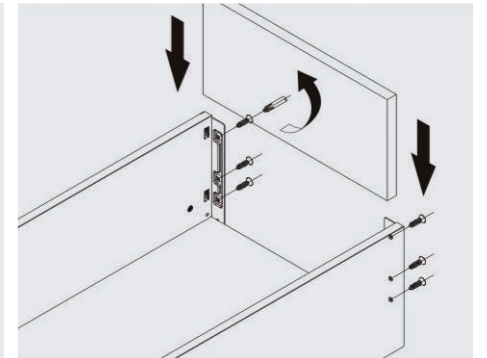
**DRAWER ASSEMBLY**



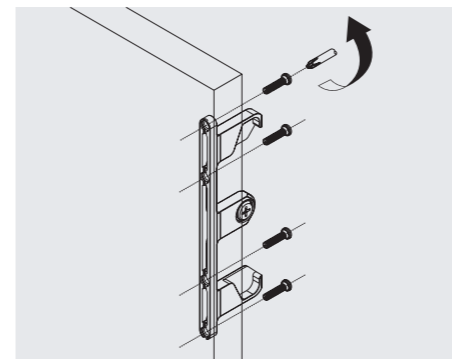
Drawer Base assembly



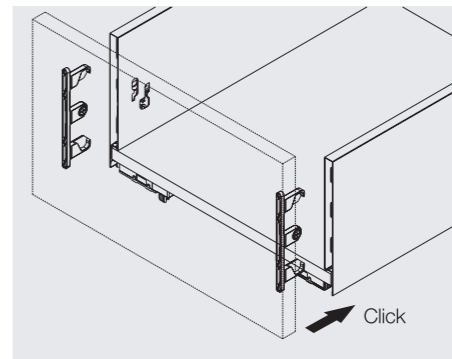
Locking Brackets assembly



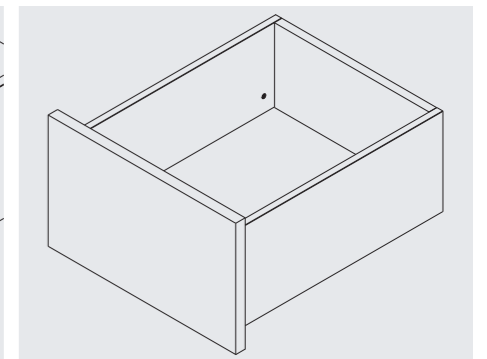
Drawer back assembly



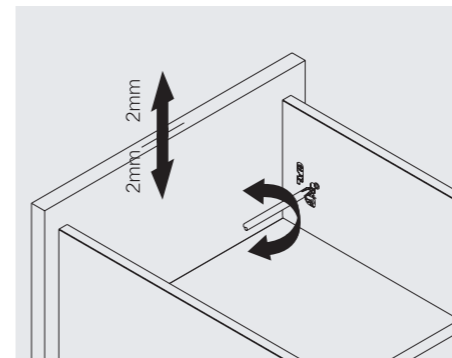
Drawer front assembly



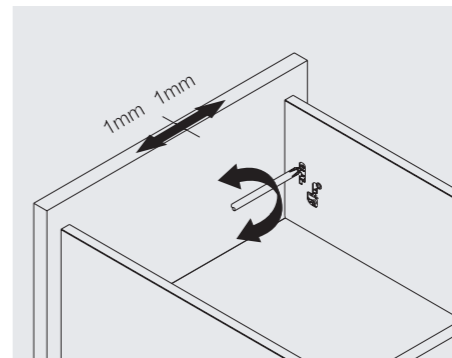
Click



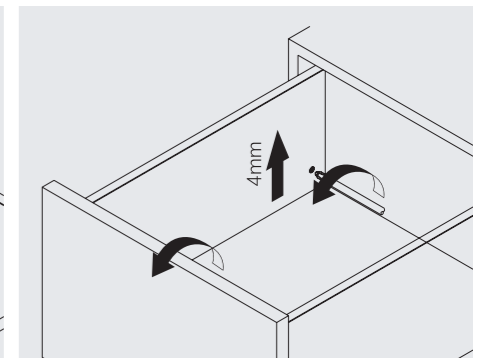
**ADJUSTMENT**



Left & right adjustment

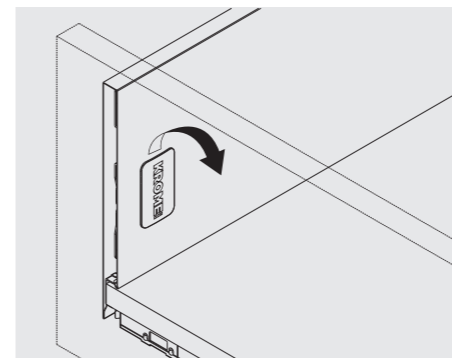


Left & right adjustment

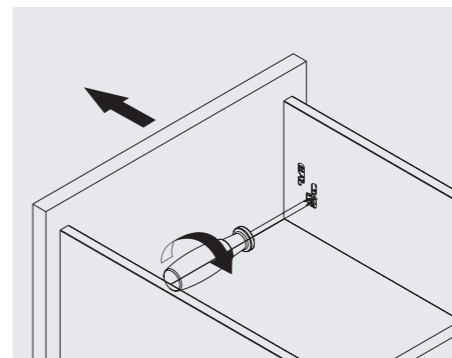


Tilt adjustment

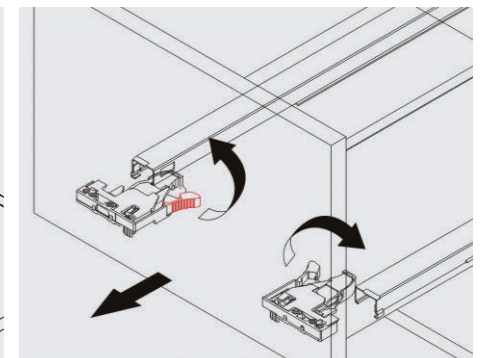
**REMOVAL**



Tip up the cover and pull out

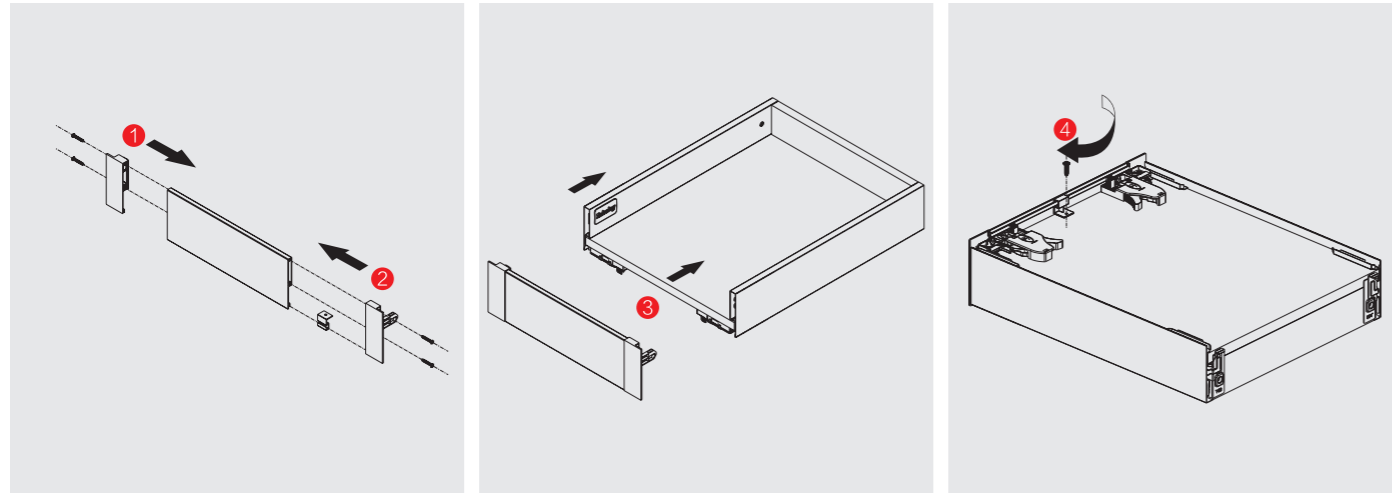


Turn screw driver to release the drawer front

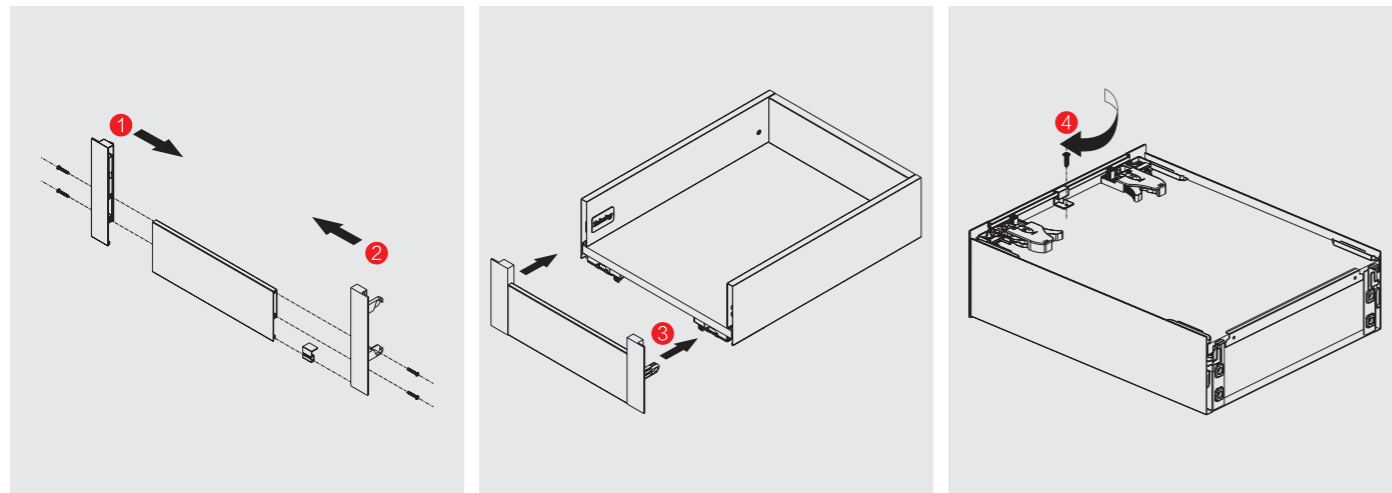


Remove the driver by pressing the locking bracket and then pull the drawer out

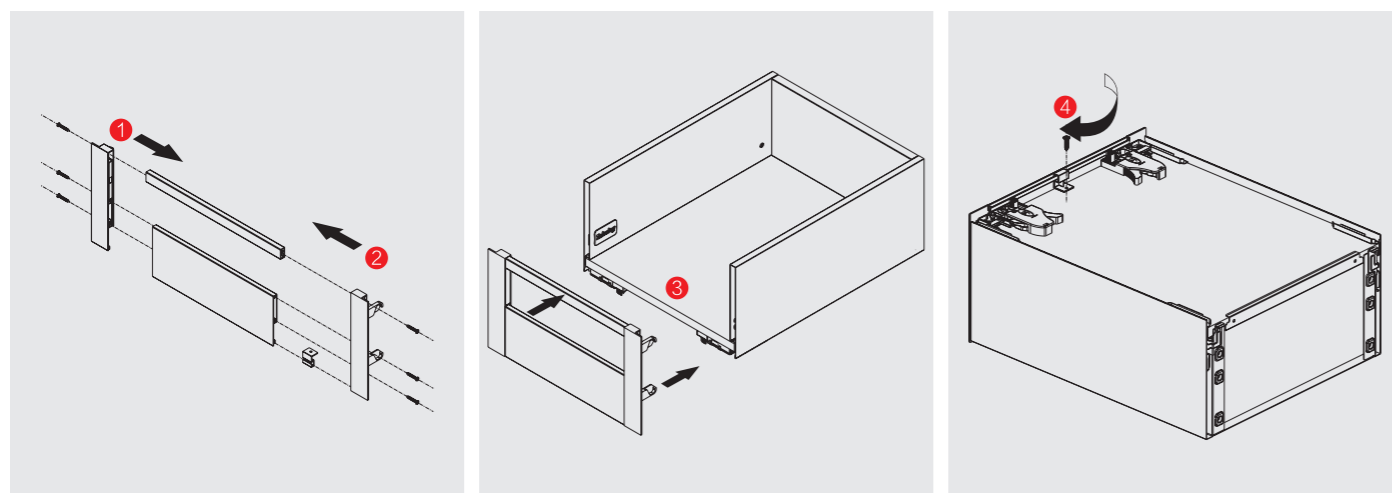
89MM INNER DRAWER FRONT ASSEMBLY



121MM INNER DRAWER FRONT ASSEMBLY



185MM INNER DRAWER FRONT ASSEMBLY





**NOVER & CO PTY LIMITED** ABN 15 001 706 038

19 Wonderland Drive, Eastern Creek NSW 2766  
Locked Bag 90, Wetherill Park Business Centre NSW 1851

T 1300 668 371 F 1300 668 372 E [info@nover.com.au](mailto:info@nover.com.au) W [www.nover.com.au](http://www.nover.com.au)

---

**NSW** Sydney 1300 668 371 **Central Coast** 02 4351 2444 **Newcastle** 02 4956 6626 **Orange** 02 6362 9666 **Port Macquarie** 02 6581 2202  
**Wagga Wagga** 02 6925 3900 **Wollongong** 02 4271 3266 **ACT ACT** 0412 528 502 **QLD** Stapylton 1300 599 057 **Townsville** 07 4775 3500  
**VIC** Melbourne 03 9729 0666

Nover is constantly seeking ways to improve the design specifications, appearance and manufacturing process for its products. As a result variations to our products and our designs occur occasionally. Pictures, specifications and dimensions are for illustration purposes only and are subject to change without notice.