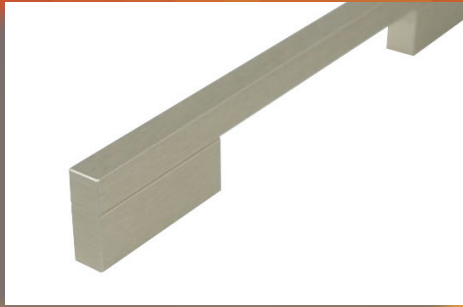


# Handle Range

Wilson & Bradley



**kiā ora**  
INNOVATIVE PRODUCTS

**furnipart**  
THE STAR ON YOUR FURNITURE

**WILSON &  
BRADLEY**

SERVICE & CIVILITY



[wilbrad.com.au](http://wilbrad.com.au)

**40**  
YEARS OF  
SERVICE



## Furnipart Handle Range.

Wilson & Bradley are proud to introduce the new Furnipart range of handles. Crafted in Denmark, Furnipart has more than 30 years' experience designing, developing and supplying designer handles for the kitchen and bathroom industry.

They are continuously presenting unique design ideas with all handles being crafted by award winning designers and sold all over the world. Wilson & Bradley is proud to be a distributor of the Furnipart handle range including the Allegro handle range which has been exclusively designed for Wilson & Bradley to complement the slimline drawer profile of the Blum LEGRABOX drawer.



### ALLEGRO HANDLES



- Designer: Adam Laws
- Material: Aluminium
- Finish: Inox Look

CODE	HC	L	W	H
ALE160SS	160MM	210MM	14.5MM	36MM
ALE224SS	224MM	278MM	14.5MM	36MM
ALE320SS	320MM	376MM	14.5MM	36MM



### RADIUS HANDLES



- Designer: Steve McGugan
- Material: Zamac
- Finish: Inox Look

CODE	HC	L	W	H
RAD160SS	160MM	170MM	28MM	30MM
RAD320SS	320MM	330MM	28MM	30MM





## CUBICO HANDLES



- Designer: Designit
- Material: Zamac
- Finish: 66 - Inox Look

CODE	HC	L	W	H
CUB192SS	192	201	15MM	33MM

## EDGE STRAIGHT HANDLES



- Designer: Adam Laws
- Material: Zamac
- Finish: Inox Look

CODE	HC	L	W	H
EDGK40SS	20MM	40MM	41MM	18MM
EDG200SS	2 x 80MM	200MM	41MM	18MM
EDG350SS	2 x 160MM	350MM	41MM	18MM

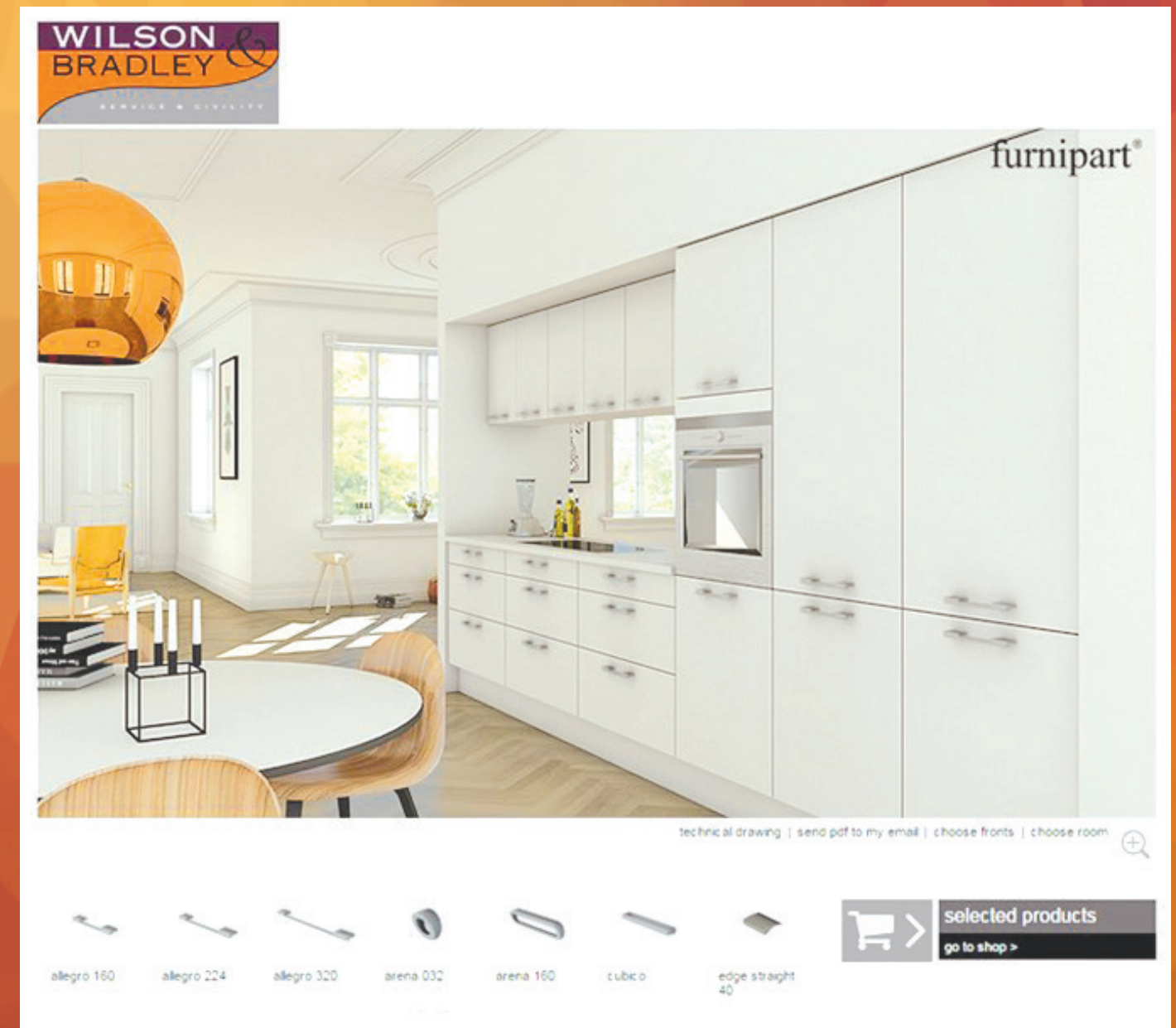


## Furnipart Virtual Showroom.

### Introducing the future of handle selection.

Available for our range of Furnipart handles, the Furnipart Virtual showroom allows you to view the Furnipart handles in a variety of rooms with a variety of door and drawer fronts before deciding on the handle you desire. After a selection has been made simply add to cart for the handles to be placed in your Wilson & Bradley shopping cart.

Visit the Wilson & Bradley website today and click on the Furnipart Virtual Showroom button on the home page to get started





## ARENA HANDLES



- Designer: Adam Laws
- Material: Zamac
- Finish: Inox Look

CODE	HC	L	W	H	Dia
AREK32SS	32	-	-	22MM	41MM
ARE160SS	160MM	168MM	40MM	22MM	-



## FLAT RING HANDLES



- Designer: furnipart
- Material: Zamac
- Finish: Inox Look

CODE	HC	L	W	H
FLR192SS	192MM	200MM	8MM	40MM
FLR320SS	320MM	328MM	8MM	40MM



EDGK40SS



AREK32SS





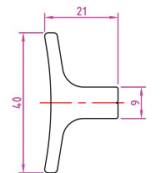
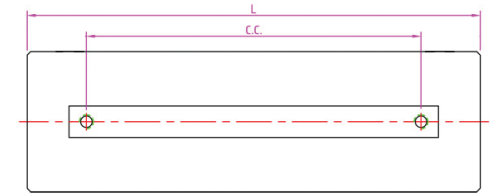
In addition to the Furnipart handle range, Wilson & Bradley also have a large selection of handles for all styles and budgets. Including modern, traditional and provincial styles as well as the popular Builders range for the budget conscious our range is constantly being updated so check out the handle section of the website to view the entire collection.



## CONCAVE HANDLE



CODE	HC	L	FINISH	W	H
CON24GWH	24MM	40MM	GWH	40MM	21MM
CON128GWH	128MM	162MM	GWH	40MM	21MM
CON160GWH	160MM	194MM	GWH	40MM	21MM
CON192GWH	192MM	226MM	GWH	40MM	21MM
CON288GWH	288MM	322MM	GWH	40MM	21MM
CON480GWH	480MM	514MM	GWH	40MM	21MM

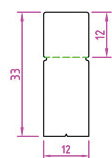
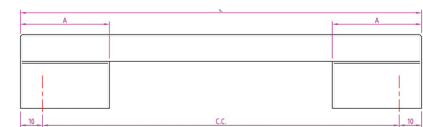


CODE	HC	L	FINISH	W	H
CON24GBK	24MM	40MM	GBK	40MM	21MM
CON128GBK	128MM	162MM	GBK	40MM	21MM
CON160GBK	160MM	194MM	GBK	40MM	21MM
CON192GBK	192MM	226MM	GBK	40MM	21MM
CON288GBK	288MM	322MM	GBK	40MM	21MM
CON480GBK	480MM	480MM	GBK	40MM	21MM

## WIDE BASE LISSE HANDLE



CODE	HC	L	A	FINISH	W	H
WLSE160SS	160MM	180MM	40MM	SS	12MM	33MM
WLSE224SS	224MM	244MM	60MM	SS	12MM	33MM
WLSE352SS	352MM	372MM	90MM	SS	12MM	33MM
WLSE480SS	480MM	500MM	140MM	SS	12MM	33MM



CODE	HC	L	A	FINISH	W	H
WLSE160BC	160MM	180MM	40MM	BC	12MM	33MM
WLSE224BC	224MM	244MM	60MM	BC	12MM	33MM
WLSE352BC	352MM	372MM	90MM	BC	12MM	33MM
WLSE480BC	480MM	500MM	140MM	BC	12MM	33MM

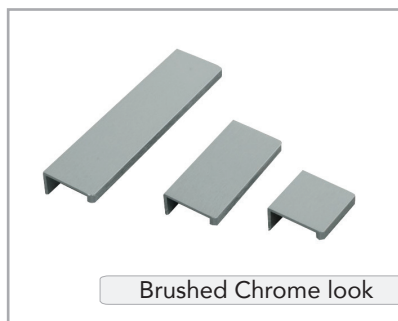
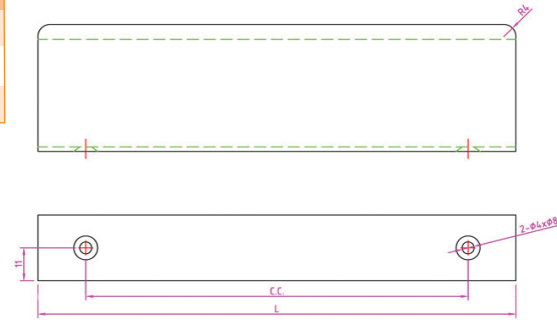




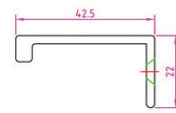
TOP EDGE HANDLE



CODE	HC	L	FINISH	W	H
TOPE20SS	20MM	42.5MM	SS	42.5MM	22MM
TOPE64SS	64MM	84MM	SS	42.5MM	22MM
TOPE128SS	128MM	160MM	SS	42.5MM	22MM



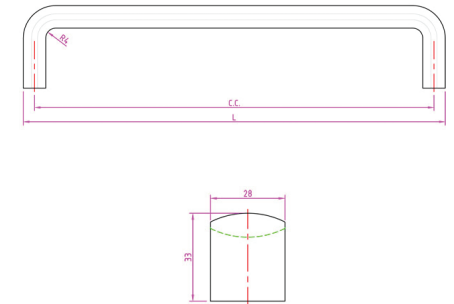
CODE	HC	L	FINISH	W	H
TOPE20BC	20MM	42.5MM	BC	42.5MM	22MM
TOPE64BC	64MM	84MM	BC	42.5MM	22MM
TOPE128BC	128MM	160MM	BC	42.5MM	22MM



WIDE D HANDLE



CODE	HC	L	FINISH	W	H
WIDD160SS	160MM	169MM	SS	28MM	33MM
WIDD224SS	224MM	233MM	SS	28MM	33MM
WIDD352SS	352MM	361MM	SS	28MM	33MM
WIDD480SS	480MM	481MM	SS	28MM	33MM

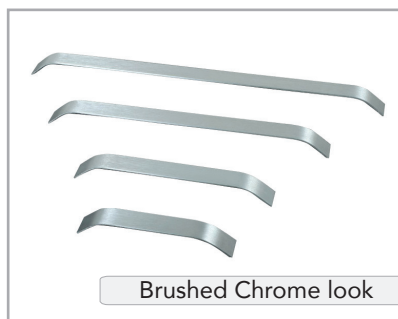
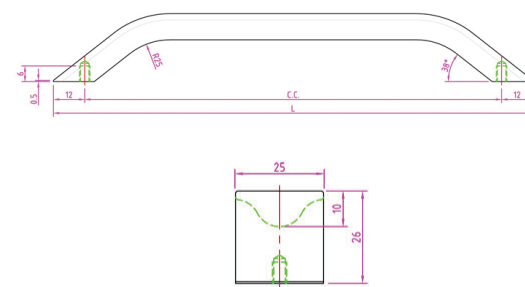


CODE	HC	L	FINISH	W	H
WIDD160BC	160MM	169MM	BC	28MM	33MM
WIDD224BC	224MM	233MM	BC	28MM	33MM
WIDD352BC	352MM	361MM	BC	28MM	33MM
WIDD480BC	480MM	481MM	BC	28MM	33MM

FLAT RAINBOW HANDLE



CODE	HC	L	FINISH	W	H
FRBW160SS	160MM	184MM	SS	25MM	26MM
FRBW224SS	224MM	248MM	SS	25MM	26MM
FRBW352SS	352MM	376MM	SS	25MM	26MM
FRBW480SS	480MM	504MM	SS	25MM	26MM

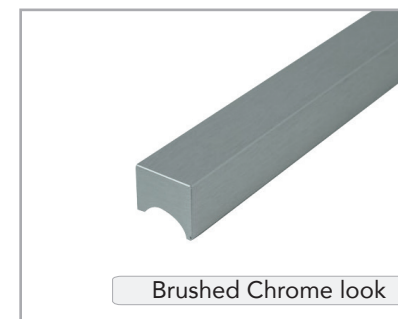
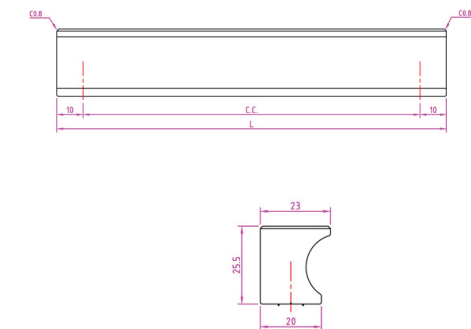


CODE	HC	L	FINISH	W	H
FRBW160BC	160MM	184MM	BC	25MM	26MM
FRBW224BC	224MM	248MM	BC	25MM	26MM
FRBW352BC	352MM	376MM	BC	25MM	26MM
FRBW480BC	480MM	504MM	BC	25MM	26MM

SQUARE FINGER PULL HANDLE



CODE	HC	L	FINISH	W	H
SQFP64SS	64MM	64MM	SS	23MM	25.5MM
SQFP128SS	128MM	148MM	SS	23MM	25.5MM
SQFP192SS	192MM	212MM	SS	23MM	25.5MM
SQFP288SS	288MM	308MM	SS	23MM	25.5MM
SQFP480SS	480MM	500MM	SS	23MM	25.5MM



CODE	HC	L	FINISH	W	H
SQFP64BC	64MM	64MM	BC	23MM	25.5MM
SQFP128BC	128MM	148MM	BC	23MM	25.5MM
SQFP192BC	192MM	212MM	BC	23MM	25.5MM
SQFP288BC	288MM	308MM	BC	23MM	25.5MM
SQFP480BC	480MM	500MM	BC	23MM	25.5MM

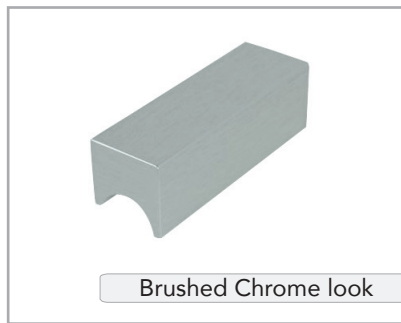




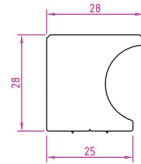
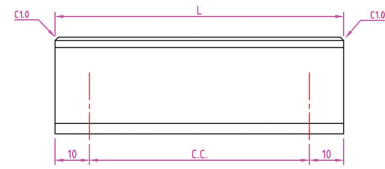
LARGE SQUARE FINGER PULL HANDLE



CODE	HC	L	FINISH	W	H
LSFP64SS	64MM	84MM	SS	28MM	28MM



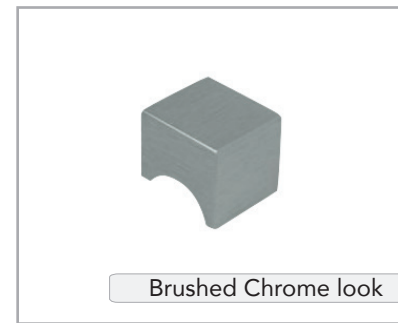
CODE	HC	L	FINISH	W	H
LSFP64BC	64MM	84MM	BC	28MM	28MM



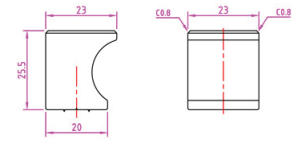
SQUARE FINGER PULL KNOB



CODE	L	FINISH	W	H
SQFP23SS	23MM	SS	23MM	25.5MM



CODE	L	FINISH	W	H
SQFP23BC	23MM	BC	23MM	25.5MM



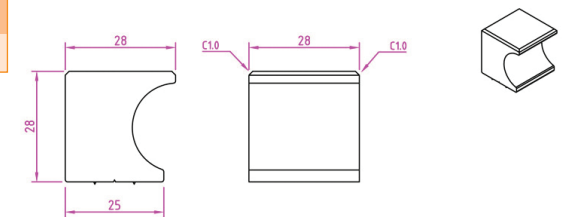
LARGE SQUARE FINGER PULL KNOB



CODE	L	FINISH	W	H
LSFP28SS	28MM	SS	28MM	28MM



CODE	L	FINISH	W	H
LSFP28BC	28MM	BC	28MM	28MM

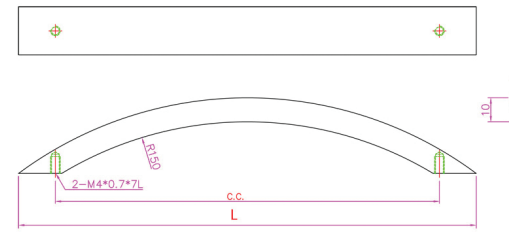




RAINBOW BOW HANDLE



CODE	HC	L	FINISH	W	H
RBW16021	160MM	191MM	PC	20MM	31.5MM
RBW19221	192MM	230MM	PC	20MM	31.5MM
RBW22421	224MM	267MM	PC	20MM	31.5MM
RBW28821	288MM	344MM	PC	20MM	31.5MM
RBW35221	352MM	421MM	PC	20MM	31.5MM

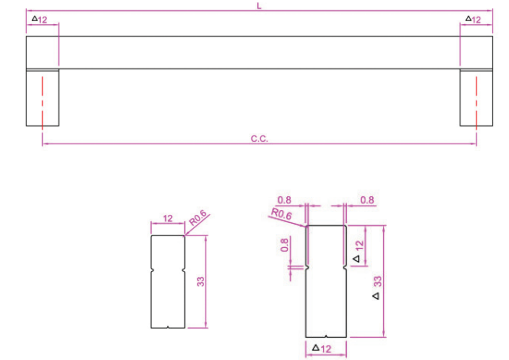


CODE	HC	L	FINISH	W	H
RBW16027	160MM	191MM	SS	20MM	31.5MM
RBW19227	192MM	230MM	SS	20MM	31.5MM
RBW22427	224MM	267MM	SS	20MM	31.5MM
RBW28827	288MM	344MM	SS	20MM	31.5MM
RBW35227	352MM	421MM	SS	20MM	31.5MM

LISSE HANDLE



CODE	HC	L	FINISH	W	H
LSE9621	96MM	108MM	PC	28MM	32.8MM
LSE12821	128MM	140MM	PC	28MM	32.8MM
LSE16021	160MM	172MM	PC	28MM	32.8MM
LSE22421	224MM	236MM	PC	28MM	32.8MM
LSE35221	352MM	364MM	PC	28MM	32.8MM

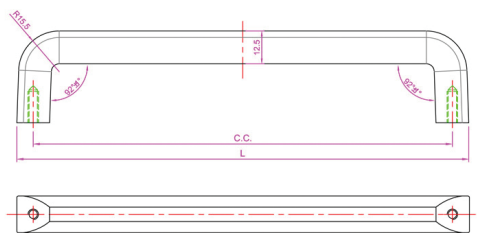


CODE	HC	L	FINISH	W	H
LSE9627	96MM	108MM	SS	28MM	32.8MM
LSE12827	128MM	140MM	SS	28MM	32.8MM
LSE16027	160MM	172MM	SS	28MM	32.8MM
LSE22427	224MM	236MM	SS	28MM	32.8MM
LSE35227	352MM	364MM	SS	28MM	32.8MM

OVALE



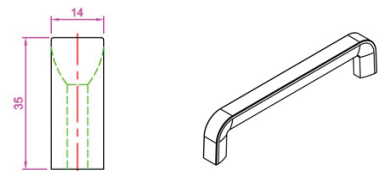
CODE	HC	L	FINISH	W	H
OVL16021	160MM	172.5MM	PC	14MM	35MM
OVL22421	224MM	236.5MM	PC	14MM	35MM
OVL35221	352MM	364.5MM	PC	14MM	35MM
OVL48021	480MM	492.5MM	PC	14MM	35MM



CODE	HC	L	FINISH	W	H
TEF96	96MM	108MM	TEF	12MM	33MM
TEF128	128MM	140MM	TEF	12MM	33MM
TEF160	160MM	172MM	TEF	12MM	33MM
TEF192	192MM	204MM	TEF	12MM	33MM
TEF224	224MM	136MM	TEF	12MM	33MM
TEF352	352MM	364MM	TEF	12MM	33MM
TEF384	384MM	396MM	TEF	12MM	33MM
TEF480	480MM	492MM	TEF	12MM	33MM
TEF608	608MM	620MM	TEF	12MM	33MM



CODE	HC	L	FINISH	W	H
OVL16027	160MM	172.5MM	SS	14MM	35MM
OVL22427	224MM	236.5MM	SS	14MM	35MM
OVL35227	352MM	364.5MM	SS	14MM	35MM
OVL48027	480MM	492.5MM	SS	14MM	35MM





FLAT LISSE HANDLE



CODE	HC	L	FINISH	W	H
FLSE9621	96MM	105MM	PC	28MM	32.8MM
FLSE12821	128MM	137MM	PC	28MM	32.8MM
FLSE16021	160MM	169MM	PC	28MM	32.8MM
FLSE19221	192MM	201MM	PC	28MM	32.8MM
FLSE22421	224MM	233MM	PC	28MM	32.8MM
FLSE28821	288MM	297MM	PC	28MM	32.8MM
FLSE32021	320MM	329MM	PC	28MM	32.8MM
FLSE35221	352MM	361MM	PC	28MM	32.8MM
FLSE48021	480MM	489MM	PC	28MM	32.8MM
FLSE51221	512MM	521MM	PC	28MM	32.8MM
FLSE60821	608MM	617MM	PC	28MM	32.8MM
FLSE73621	736MM	745MM	PC	28MM	32.8MM



CODE	HC	L	FINISH	W	H
FLSE9627	96MM	105MM	SS	28MM	32.8MM
FLSE12827	128MM	137MM	SS	28MM	32.8MM
FLSE16027	160MM	169MM	SS	28MM	32.8MM
FLSE19227	192MM	201MM	SS	28MM	32.8MM
FLSE22427	224MM	233MM	SS	28MM	32.8MM
FLSE28827	288MM	297MM	SS	28MM	32.8MM
FLSE32027	320MM	329MM	SS	28MM	32.8MM
FLSE35227	352MM	361MM	SS	28MM	32.8MM
FLSE48027	480MM	489MM	SS	28MM	32.8MM
FLSE51227	512MM	521MM	SS	28MM	32.8MM
FLSE60827	608MM	617MM	SS	28MM	32.8MM
FLSE73627	736MM	745MM	SS	28MM	32.8MM

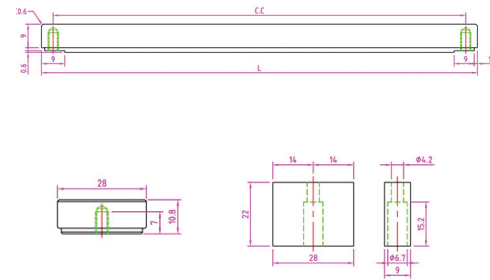
ROTONDO HANDLE



CODE	HC	L	FINISH	W	H
RTD12821	128MM	139.4MM	PC	12MM	33MM
RTD16021	160MM	171.4MM	PC	12MM	33MM
RTD19221	192MM	203.4MM	PC	12MM	33MM
RTD22421	224MM	235.4MM	PC	12MM	33MM
RTD28821	288MM	299.4MM	PC	12MM	33MM



CODE	HC	L	FINISH	W	H
RTD12827	128MM	139.4MM	SS	12MM	33MM
RTD16027	160MM	171.4MM	SS	12MM	33MM
RTD19227	192MM	203.4MM	SS	12MM	33MM
RTD22427	224MM	235.4MM	SS	12MM	33MM
RTD28827	288MM	299.4MM	SS	12MM	33MM



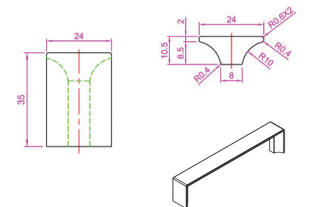
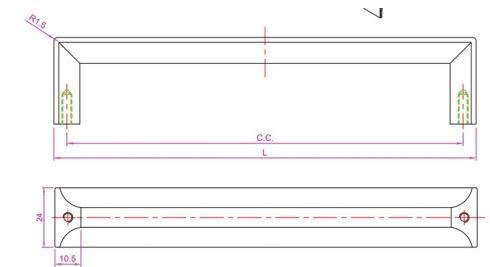
CURVA HANDLE



CODE	HC	L	FINISH	W	H
CRV16021	160MM	170.5MM	PC	24MM	35MM
CRV22421	224MM	234.5MM	PC	24MM	35MM
CRV35221	352MM	362.5MM	PC	24MM	35MM
CRV48021	480MM	490.5MM	PC	24MM	35MM



CODE	HC	L	FINISH	W	H
CRV16027	160MM	170.5MM	SS	24MM	35MM
CRV22427	224MM	234.5MM	SS	24MM	35MM
CRV35227	352MM	362.5MM	SS	24MM	35MM
CRV48027	480MM	490.5MM	SS	24MM	35MM



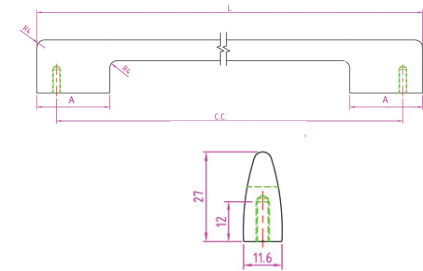
PEAK HANDLE



CODE	HC	L	A	FINISH	H
PK16021	160MM	180MM	36MM	PC	28MM
PK19221	192MM	212MM	38MM	PC	28MM
PK22421	224MM	244MM	44MM	PC	28MM
PK28821	288MM	308MM	64MM	PC	28MM
PK35221	352MM	372MM	72MM	PC	28MM



CODE	HC	L	A	FINISH	H
PK16027	160MM	180MM	36MM	SS	28MM
PK19227	192MM	212MM	38MM	SS	28MM
PK22427	224MM	244MM	44MM	SS	28MM
PK28827	288MM	308MM	64MM	SS	28MM
PK35227	352MM	372MM	72MM	SS	28MM



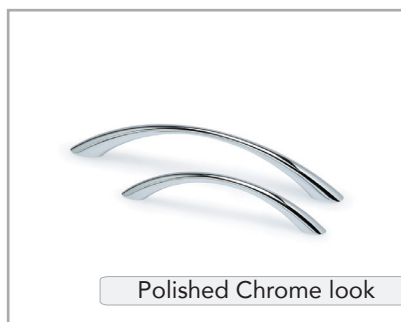
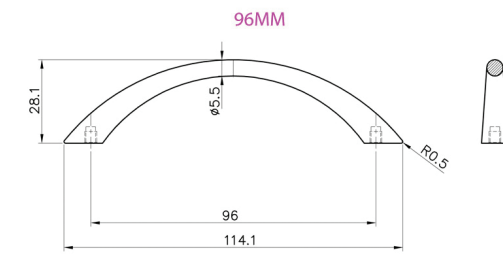




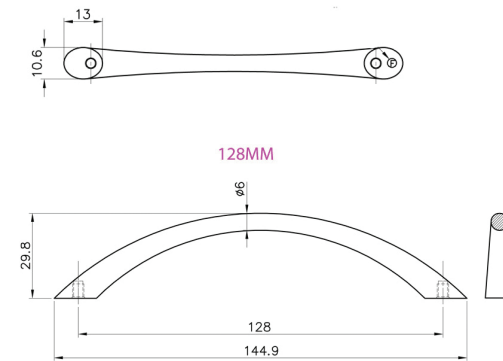
TAPERED BOW



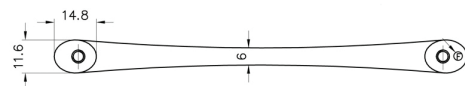
CODE	HC	L	FINISH	H
MH35113	96MM	114.1MM	SN	22MM
MH35115	128MM	144.9MM	SN	22MM



CODE	HC	L	FINISH	H
MH3511321	96MM	114.1MM	PC	22MM
MH3511521	128MM	144.9MM	PC	22MM



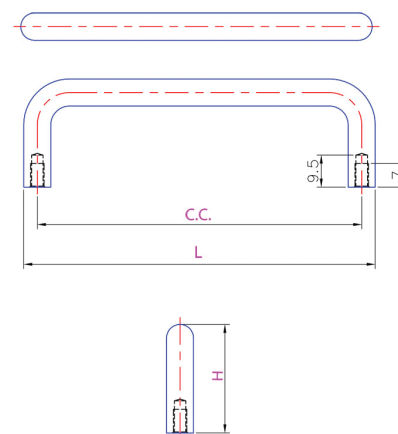
CODE	HC	L	FINISH	H
MH3511372	96MM	114.1MM	BLN	22MM
MH3511572	128MM	144.9MM	BLN	22MM



METAL D HANDLES



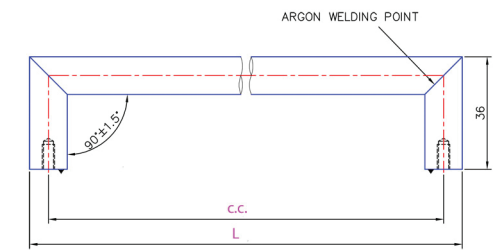
CODE	HC	L	H	FINISH	W	H
MH3516	76MM	84	30MM	SCS	8MM	30MM
MH438	96MM	106	32MM	SCS	8MM	30MM



MITRED D PULL HANDLE



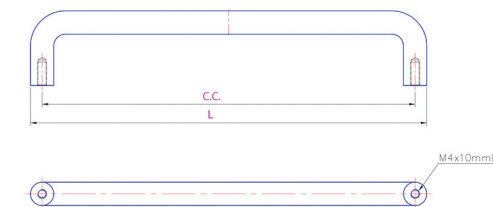
CODE	HC	L	FINISH	W	H
MH8112827	128MM	140MM	BSS	8MM	30MM
MH8116027	160MM	172MM	BSS	8MM	30MM
MH8119227	192MM	204MM	BSS	8MM	30MM
MH8132027	320MM	332MM	BSS	8MM	30MM



D PULL STAINLESS STEEL HANDLE



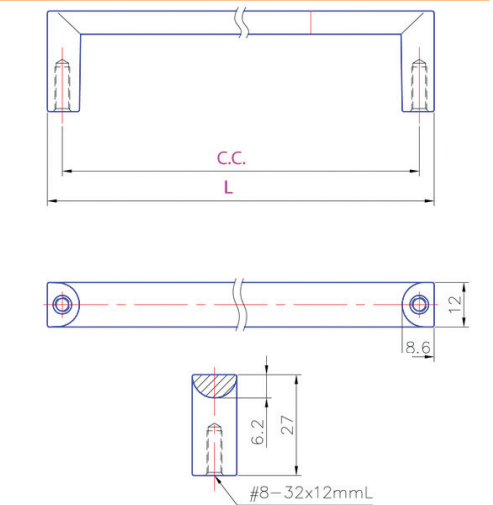
CODE	HC	L	FINISH	W	H
MHD09627	96MM	106MM	BSS	12MM	35MM
MHD12827	128MM	138MM	BSS	12MM	35MM
MHD16027	160MM	170MM	BSS	12MM	35MM
MHD28827	288MM	298MM	BSS	12MM	35MM



MITRED FLAT D PULL HANDLE



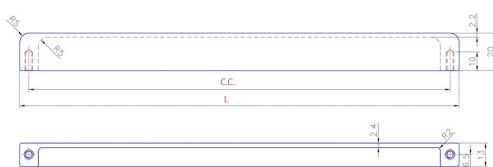
CODE	HC	L	FINISH	W	H
MH7806420	64MM	72MM	SS	12MM	27MM
MH7809620	96MM	104MM	SS	12MM	27MM
MH7812820	128MM	136MM	SS	12MM	27MM
MH7816020	160MM	168MM	SS	12MM	27MM
MH7819220	192MM	200MM	SS	12MM	27MM
MH7822420	224MM	232MM	SS	12MM	27MM
MH7828820	288MM	296MM	SS	12MM	27MM
MH7835220	352MM	360MM	SS	12MM	27MM
MH7839220	392MM	400MM	SS	12MM	27MM
MH7844820	448MM	456MM	SS	12MM	27MM
MH7852020	520MM	528MM	SS	12MM	27MM



FLAT HOODED PULL



CODE	HC	L	FINISH	H	W
MH8309620	96MM	106MM	SS	12MM	20MM
MH8316020	160MM	170MM	SS	12MM	20MM
MH8322420	224MM	233MM	SS	12MM	20MM





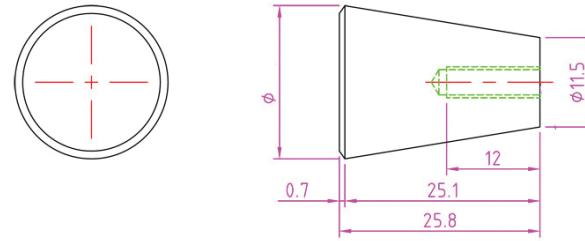


TAPERED CYLINDER KNOB



CODE	Ø	FINISH
TCK1621	16MM	PC
TCK2021	20MM	PC

CODE	Ø	FINISH
TCK1627	16MM	SS
TCK2027	20MM	SS



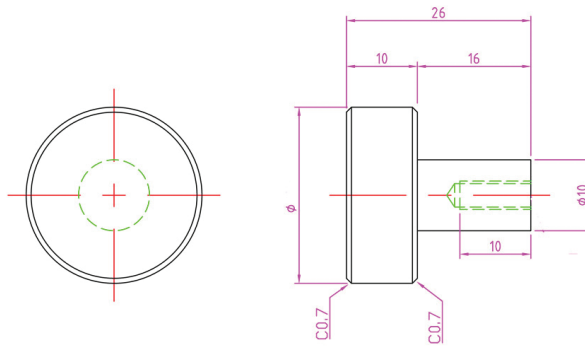
FLAT ROUND KNOB



CODE	Ø	FINISH
FRK2521	25MM	PC
FRK3021	30MM	PC



CODE	Ø	FINISH
FRK2527	25MM	SS
FRK3027	30MM	SS



STANDARD KNOBS



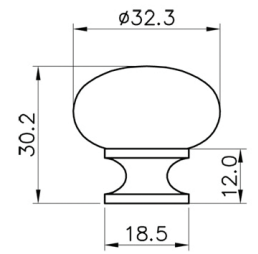
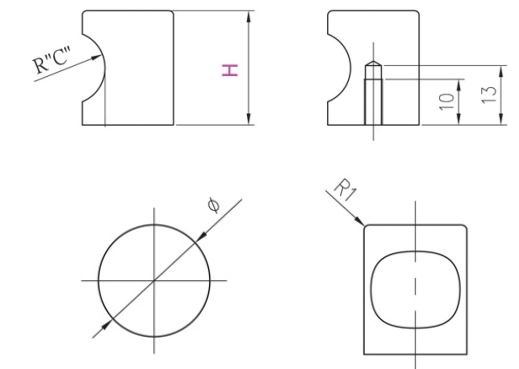
CODE	Ø	FINISH
BK26	20MM	CA
BK21	25MM	CA



CODE	Ø	FINISH
BK22	25MM	SA
BK27	20MM	SA



CODE	Ø	FINISH
BK20	32MM	BN
BK15	32MM	BR
BK18	32MM	CH





# Builder's Handle Range

## Handles

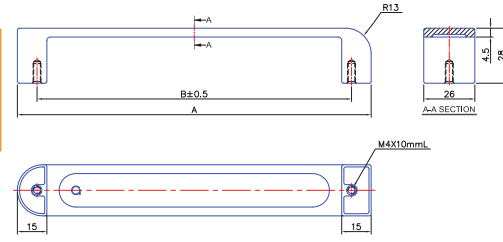
# Builder's Handle Range

## Handles

### LUELLA HANDLES



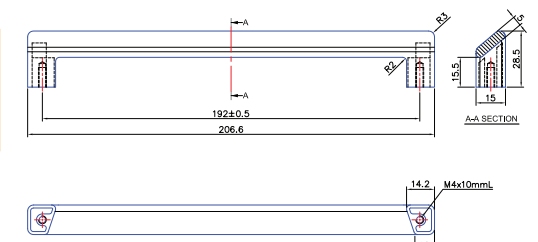
CODE	HC	L	FINISH	W	H
LUE160PC	160MM	180MM	PC	26MM	28MM
LUE160DN	160MM	180MM	DN	26MM	28MM



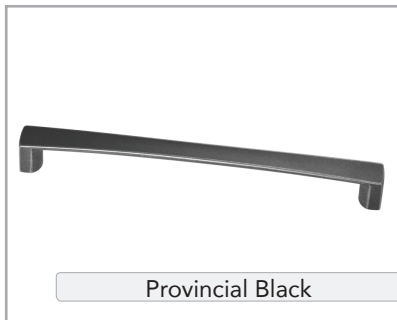
### AMOR HANDLES



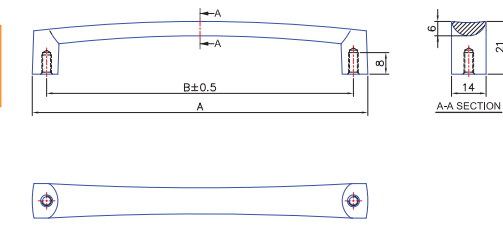
CODE	HC	L	FINISH	W	H
AMOR192PC	192MM	206.6MM	PC	15MM	28.5MM
AMOR192DN	192MM	206.6MM	DN	15MM	28.5MM



### CRUZ HANDLES



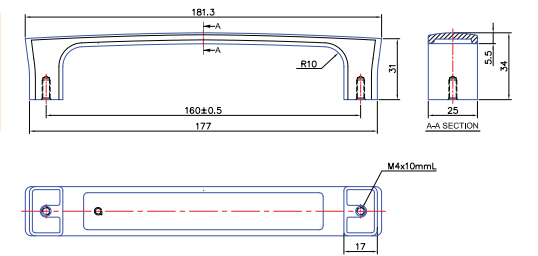
CODE	HC	L	FINISH	W	H
CRUZ160TNP	160MM	172MM	PB	13.6MM	19MM



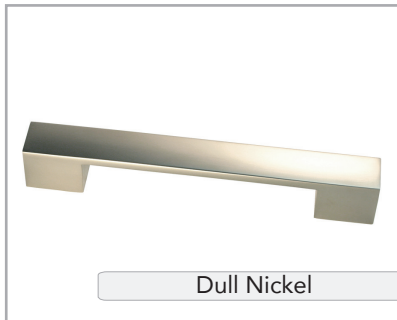
### RIA HANDLES



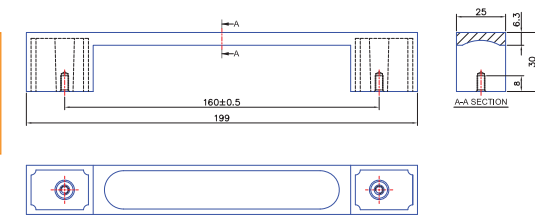
CODE	HC	L	FINISH	W	H
RIA160PC	160MM	180MM	PC	20MM	30MM
RIA160DN	160MM	180MM	DN	20MM	30MM



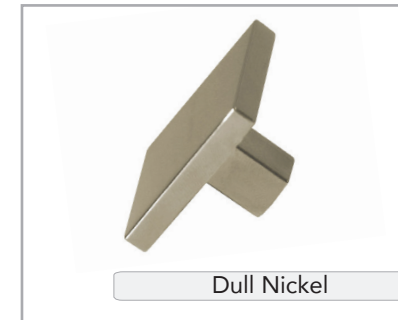
### ADELA HANDLES



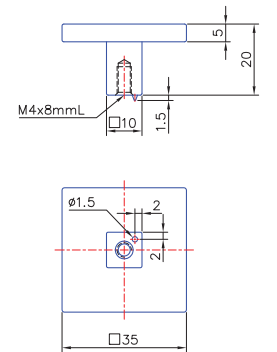
CODE	HC	L	FINISH	W	H
ADE160DN	160MM	199MM	DN	25MM	30MM
ADE160TNP	160MM	199MM	PB	25MM	30MM



### CHE KNOBS



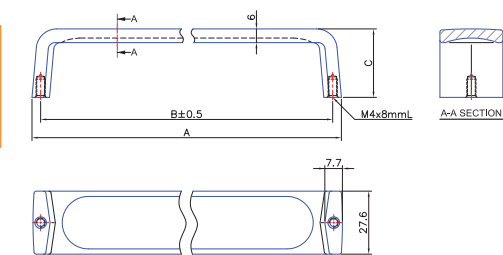
CODE	L	FINISH	W	H
CHEK35PC	35MM	PC	35MM	20MM
CHEK35DN	35MM	DN	35MM	20MM



### SIERRA HANDLES



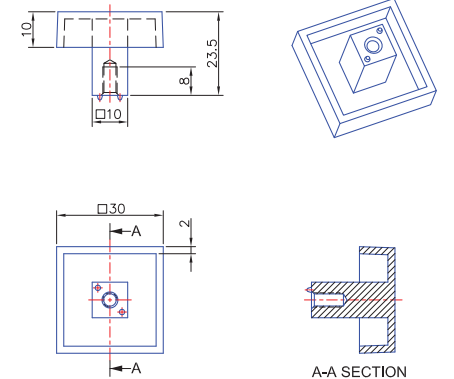
CODE	HC	L	FINISH	W	H
SIER160PC	160MM	168MM	PC	28.5MM	30MM
SIER160DN	160MM	168MM	DN	28.5MM	30MM



### MADENA KNOBS



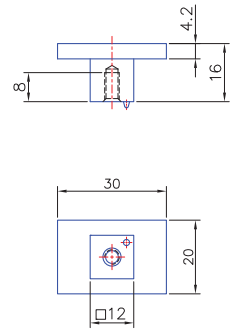
CODE	L	FINISH	W	H
MADK30PC	30MM	PC	30MM	24MM
MADK30DN	30MM	DN	30MM	24MM



## SEVILLA KNOBS



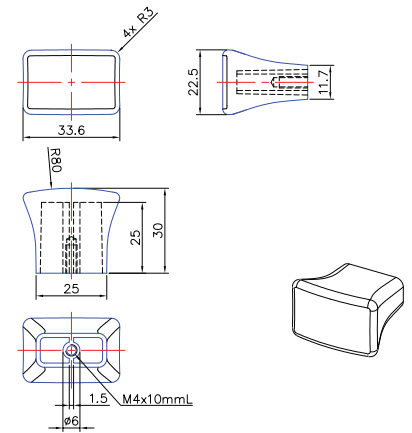
CODE	L	FINISH	W	H
SEVK30PC	30MM	PC	20MM	16MM
SEVK30DN	30MM	DN	20MM	16MM



## VIENNA KNOBS



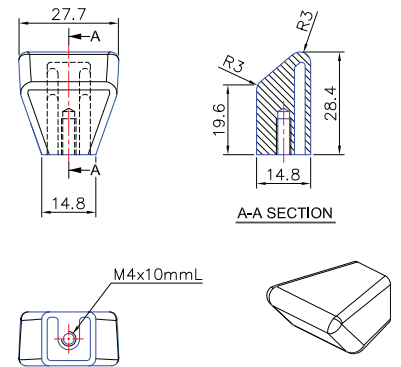
CODE	L	FINISH	W	H
VIEK30PC	34MM	PC	23MM	30MM
VIEK30DN	34MM	DN	23MM	30MM



## CORTEZ KNOBS



CODE	L	FINISH	W	H
CORK30PC	28MM	PC	15MM	28.5MM
CORK30DN	28MM	DN	15MM	28.5MM



Shop online at [www.wilbrad.com.au](http://www.wilbrad.com.au)



View installation videos at [www.wilbrad.com.au](http://www.wilbrad.com.au)

# 40

YEARS OF  
SERVICE



### Melbourne

94 Bell Street  
Preston VIC 3072  
P. 03 9495 8900  
F. 03 9416 8878

### Sydney

Unit 4, 3 Basalt Road  
Greystanes NSW 2145  
P. 02 8863 2700  
F. 02 9636 8822

### Hobart

[sales@wilbrad.com.au](mailto:sales@wilbrad.com.au)

### Brisbane

2/60 Enterprise Place  
Tingalpa QLD 4173  
P. 07 3890 8611  
F. 07 3890 3375

### Perth

43 Prosperity Ave  
Wangara WA 6065  
P. 08 9303 2644  
F. 08 9303 9788

### Adelaide

41 Weaver Street  
Edwardstown SA 5039  
P. 08 8276 3800  
F. 08 8276 3755